



Power Secure LRP30 LED Lamp



Solais LED PAR30 Lamp Replacement

Product Description: The Solais passive LED PAR30 short neck lamp replacement offers a unique solution for traditional lighting sources – providing the incandescent performance, light output and aesthetics with our recessed OPTICS2 patent-pending technology.

Performance Summary: Fully dimmable | Halogen PAR form factor (ANSI Compliant) | Lightest LED lamps on the market | Certified to UL Standard 1993 | RoHS-compliant | Contain no lead or mercury | Wet location rating

Application: Designed for use in track and recessed fixtures (including IC rated housing)

Voltage: 120v Standard

CCT: 2700K, 3000K, 3500K*, 4000K*

Dimmable: Yes - Visit solais.com/dimming.php for compatibility list

Life: 50,000 Hours (L70)

Power Factor: .92

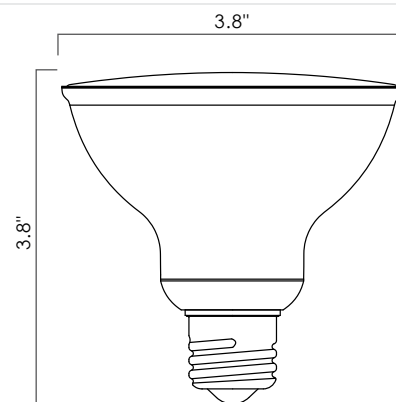
Base Type: E26, GU24*

Weight (oz.): 7.4



Product Code	Power (Watts)	Beam Angle	CCT (K)	Lumen Output	CBCP (cd)	CRI
LRP30/25/30K	10	25°	3000	500	1700	85
LRP30/40/30K	10	40°	3000	500	700	85
LRP30/25/27K	10	25°	2700	450	1570	85
LRP30/40/27K	10	40°	2700	450	720	85

Lamp Images



Beam Angles

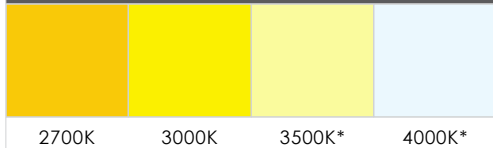


25°



40°

Color Temperature



2700K

3000K

3500K*

4000K*

Housing Colors



Silver

Ordering Information Example: LRP30/40/30K

LRP30	/	/
Form Factor (PAR30)	Beam Spread	CCT
LRP30	25	27K
	40	30K
		35K*
		40K*

* Made to Order



Power Secure LRP30 LED Lamp

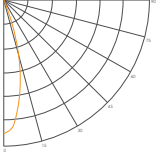
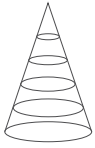


OPTICS2 involves a recessed primary optic and surface secondary optic that allows Solais LRP lamps to duplicate the exact performance and aesthetics of incandescents.



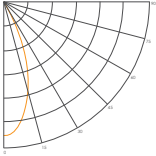
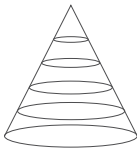
Thermal Throttle – In the event that Solais LEDs become overheated, they will dim themselves to protect your technology investments.

25° (Narrow Flood) | 500 lumens

Candela Distribution	Degree	Candela		0° Aiming Angle Horizontal Footcandles		
				Distance to Floor	Beam Diameter	Avg. Beam Illuminance on Floors (FC)
	0	1700		6'	2.3'	36
	5	1477		8'	3.1'	20
	15	419		10'	3.9'	13
	25	41		12'	4.7'	9
	35	13		14'	5.5'	7
	45	10				

Multipliers are as follows: 450 lumens: 0.92

40° (Wide Flood) | 500 lumens

Candela Distribution	Degree	Candela		0° Aiming Angle Horizontal Footcandles		
				Distance to Floor	Beam Diameter	Avg. Beam Illuminance on Floors (FC)
	0	770		6'	4.4'	18
	5	761		8'	5.8'	10
	15	627		10'	7.3'	7
	25	252		12'	8.7'	5
	35	98		14'	10.2'	3
	45	38				

Multipliers are as follows: 400 lumens: 0.94

LIMITED WARRANTY: Turolight warrants that this lamp will operate for a period of five (5) years from the date of purchase when used in accordance with package and lamp directions. If this lamp does not last for three years, return this product to the place of purchase or visit turolight.com for warranty replacement procedures. You must include the original receipt/proof of purchase. Turolight will repair or replace your lamp. This limited warranty may not cover lamps subject to misuse, electrical current fluctuation, accident, neglect, or acts of God. THIS REPLACEMENT IS THE SOLE WARRANTY OBLIGATION OF TUROLIGHT AND IS IN LIEU OF ALL OTHER WARRANTIES, EXPRESS OR IMPLIED, INCLUDING ANY WARRANTY OF MERCHANTABILITY OR FITNESS FOR A PARTICULAR PURPOSE. LIABILITY FOR INCIDENTAL AND CONSEQUENTIAL DAMAGES ARE EXCLUDED. Exclusion of incidental or consequential damages is not allowed by some provinces, so the above limitation or exclusion may not apply to you. Please visit turolight.com and contact us using the form supplied with any questions. **WARNING:** Not for use in fully enclosed luminaires. **Caution:** Risk of electric shock. Use in an indoor, dry location only. This device is not intended for use with emergency exit fixtures or emergency exit lights. May not be compatible with all dimmers, please contact Turolight.com for up-to-date dimmer compatibility information. **NOTES:** This product may cause interference with other devices. If interference occurs, change the location of the products involved.