

Cobra Head - Circle



Key Features

- Square welded aluminum ballast housing with powder coated finish for corrosion resistance
- Flat tempered glass lens
- High purity aluminum reflector with vacuum coated inner surface
- Optional photocell
- Timer dimming function available upon request

Applications

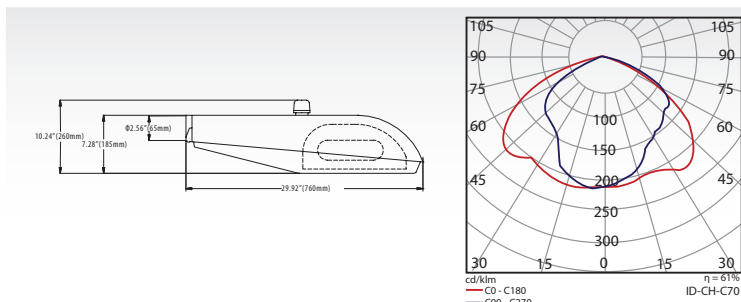
- Freeways
- Highways
- Streets
- Parking lots
- Public entrances
- Roadways

Electronic Features

- Round tubular induction lamp with high lumen efficiency and life span of 100,000hours
- Stable lumen output and high lumen maintenance
- CRI higher than 80 and IP rating 55
- High power factor (>0.95), flickering free operation with low ballast loss and constant output

Order Code	Model Number	Description	Lamp	Volts (V)	IP	Gear Box L xW xH (mm)	Lens	G.W. (kg)	Initial Lumens	UL cUL	CSA
3885505	ID-CH-C40	40W Ind.Cobra,Circle,5000K&Blst	C40L	120-277	55	800X395X250	Glass	6.8	2800	Yes	-
3886518	ID-CH-C70	70W Ind.Cobra,Circle,5000K&Blst	C70L	120-277	55	800X395X250	Glass	6.8	4900	Yes	-
3886531	ID-CH-C80	80W Ind.Cobra,Circle,5000K&Blst	C80L	120-277	55	800X395X250	Glass	6.8	6000	Yes	-
3886501	ID-CH-C100	100W Ind.Cobra,Circle,5000K&Blst	C100L	120-277	55	800X395X250	Glass	6.8	7500	Yes	-

*CCT(K) 5000K, Ambient Temp: -20 ~ +40, Round Pole Ø2.36(60) Installation, Average Life 100,000 hours.



Distributed by: