



### Key Features

- Square welded aluminum ballast housing with powder coated finish for corrosion resistance
- UV resistant PC lens
- Options for both ceiling or pipe mounting

### Applications

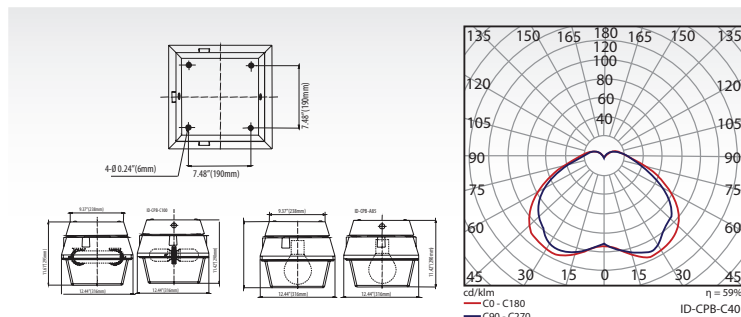
- Garages
- Gas stations
- Parking lots
- Warehouses

### Electronic Features

- Globe or round tubular induction lamp with high lighting efficiency and life span of 100,000hours
- Stable lumen output and high lumen maintenance
- CRI higher than 80, and IP rating IP43 (control gear)
- High power factor (>0.95), flickering free operation with low ballast loss and constant output

Order Code	Model Number	Description	Lamp	Volts (V)	IP	Whole Package L xW xH (mm)	Lens	G.W. (kg)	Initial Lumens	UL cUL	CSA
3885104	ID-CPB-C40	85W Ind.Garage,Trad,5000K&Blst	A85L	120-277	43	350x350x375	PC	5.00	6375	Yes	-
3886525	ID-CPB-C70	70W Ind.Garage,Trad,5000K&Blst	C70L	120-277	43	350x350x375	PC	5.60	4900	Yes	-
3886538	ID-CPB-C80	80W Ind.Garage,Trad,5000K&Blst	C80L	120-277	43	350x350x375	PC	5.60	6000	Yes	-
3886513	ID-CPB-C100	100W Ind.Garage,Trad,5000K&Blst	C100L	120-277	43	350x350x375	PC	5.60	7500	Yes	-
3886208	ID-CPB-C70/347V	70W Ind.Garage,Trad,5000K&Blst,347V	C70L	208-347	43	350x350x375	PC	5.60	4900	-	Yes
3886209	ID-CPB-C80/347V	80W Ind.Garage,Trad,5000K&Blst,347V	C80L	208-347	43	350x350x375	PC	5.60	6000	-	Yes
3886210	ID-CPB-C100/347V	100W Ind.Garage,Trad,5000K&Blst,347V	C100L	208-347	43	350x350x375	PC	5.60	7500	-	Yes

\*CCT(K) 5000K, Ambient Temp: -20 ~ +40, Roof Mount / Hanging Pole Installation, Average Life 100,000 hours.



Distributed by: