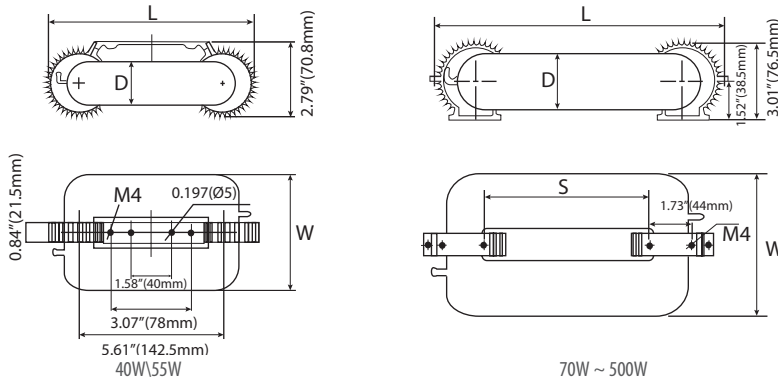


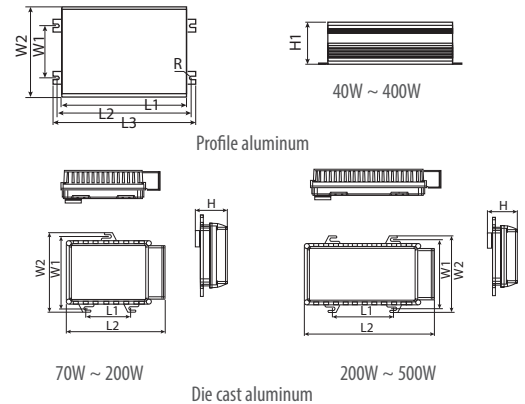
LAMP & BALLAST – RECTANGULAR



Induction Lamp Dimension



Electronic Ballast Dimension



Induction Lamp Dimensions

Unit: inches(mm)

Wattage	Dim	40W	55W	70W/80W	100W	120W	150W	200W	250W	300W	400W
Tube Diameter	D	1.50(38) 1.65(42)	1.65(42)	2.13(54)	2.13(54)	2.13(54)	2.13(54)	1.50(38) 2.13(54) 2.28(58)	1.50(38) 2.13(54) 2.28(58)	2.13(54) 2.28(58)	2.13(54) 2.28(58)
Lamp Width	W±0.079(2)	4.49(114) 4.65(118)	4.65(118)	5.59(142)	5.59(142)	5.59(142)	5.59(142)	5.03(128) 5.59(142) 7.40(188)	5.03(128) 6.30(160) 7.40(188)	6.30(160) 7.40(188)	6.30(160) 7.40(188)
Lamp Length	L±0.098(2.5)	7.95(202) 7.95 (202)	7.95(202)	9.65(245)	11.61(295)	13.19(335)	15.28(388)	30.87(784) 21.26(540) 17.09(434)	41.65(1058) 26.61(676) 22.99(584)	31.34(796) 26.93(684)	41.22(1047) 34.80(884)
Mounting Holes Spacing	S±0.098(2.5)	-	-	4.69(119)	6.65(169)	8.23(209)	10.28(261)	24.33(618) 16.50(419) 12.13(308)	34.96(888) 21.61(549) 18.03(458)	26.34(669) 21.97(558)	36.18(919) 29.84(758)

Electronic Ballast Dimensions (Profile Aluminum)

Unit: inches(mm)

Model Number	L1	L2	L3	W1	W2	R	H1
ID-B40-CR-120-PA, ID-B40-CR-347-PA	5.20(132.0)	5.63(143.0)	5.98(152.0)	2.48(63)	3.66(93.0)	0.10(2.5)	1.63(41.5)
ID-B55-CR-120-PA	5.20(132.0)	5.63(143.0)	5.98(152.0)	2.48(63)	3.66(93.0)	0.10(2.5)	1.63(41.5)
ID-B70-CR-120-PA, ID-B70-CR-347-PA	6.19(157.3)	6.70(170.3)	7.06(179.3)	2.38(60.5)	4.11(104.5)	0.10(2.5)	1.89(48.0)
ID-B80-CR-120-PA, ID-B80-CR-347-PA	6.19(157.3)	6.70(170.3)	7.06(179.3)	2.38(60.5)	4.11(104.5)	0.10(2.5)	1.89(48.0)
ID-B100-CR-120-PA, ID-B100-CR-347-PA	6.19(157.3)	6.70(170.3)	7.06(179.3)	2.38(60.5)	4.11(104.5)	0.10(2.5)	1.89(48.0)
ID-B120-CR-120-PA, ID-B120-CR-347-PA	7.44(189.0)	8.03(204.0)	8.46(215.0)	2.76(70.0)	4.72(120.0)	0.10(2.5)	2.09(53.0)
ID-B150-CR-120-PA, ID-B150-CR-347-PA	7.44(189.0)	8.03(204.0)	8.46(215.0)	2.76(70.0)	4.72(120.0)	0.10(2.5)	2.09(53.0)
ID-B200-CR-120-PA, ID-B200-CR-347-PA	7.44(189.0)	8.03(204.0)	8.46(215.0)	2.76(70.0)	4.72(120.0)	0.10(2.5)	2.09(53.0)
ID-B250-CR-120-PA							

Electronic Ballast Dimensions (Die Cast Aluminum)

Unit: inches(mm)

Model Number	L1	L2	W1	W2	H
ID-B70-R-120-DCA, ID-B70-R347-DCA	4.17(106)	9.21(234)	6.67(169.5)	7.46(189.5)	2.97(75.5)
ID-B80-R-120-DCA, ID-B80-R-347-DCA	4.17(106)	9.21(234)	6.67(169.5)	7.46(189.5)	2.97(75.5)
ID-B100-R-120-DCA, ID-B100-R-347-DCA	4.17(106)	9.21(234)	6.67(169.5)	7.46(189.5)	2.97(75.5)
ID-B120-R-120-DCA, ID-B120-R-347-DCA	4.17(106)	9.21(234)	6.67(169.5)	7.46(189.5)	2.97(75.5)
ID-B150-R-120-DCA, ID-B150-R-347-DCA	4.17(106)	9.21(234)	6.67(169.5)	7.46(189.5)	2.97(75.5)
ID-B200-R-120-DCA, ID-B200-R-347-DCA	5.91(150)	12.56(319)	6.67(169.5)	7.46(189.5)	2.97(75.5)
ID-B250-R-120-DCA, ID-B250-R-347-DCA	5.91(150)	12.56(319)	6.67(169.5)	7.46(189.5)	2.97(75.5)
ID-B300-R-120-DCA, ID-B300-R-347-DCA	5.91(150)	12.56(319)	6.67(169.5)	7.46(189.5)	2.97(75.5)
ID-B400-R-120-DCA, ID-B400-R-347-DCA	5.91(150)	12.56(319)	6.67(169.5)	7.46(189.5)	2.97(75.5)

Induction Lamp Specifications

Order Code	Model Number	Description	Lamp (W)	Lumens Initial	CRI	Luminance Maintenance (60K Hours)	CTT (K)	Average Life	UL cUL
1885502	ID-R40L-50K	40W Rectangular Lamp - 5000K	40	2800	80	70%	5000	100000	Y
1885506	ID-R55L-50K	55W Rectangular Lamp - 5000K	55	3850	80	70%	5000	100000	Y
1886503	ID-R70L-50K	70W Rectangular Lamp - 5000K	70	4900	80	70%	5000	100000	Y
1886504	ID-R80L-50K	80W Rectangular Lamp - 5000K	80	6000	80	70%	5000	100000	Y
1886505	ID-R100L-50K	100W Rectangular Lamp - 5000K	100	7500	80	70%	5000	100000	Y
1887504	ID-R120L-50K	120W Rectangular Lamp - 5000K	120	9000	80	70%	5000	100000	Y
1887505	ID-R150L-50K	150W Rectangular Lamp - 5000K	150	12000	80	70%	5000	100000	Y
1887506	ID-R200L-50K	200W Rectangular Lamp - 5000K	200	16000	80	70%	5000	100000	Y
1887507	ID-R250L-50K	250W Rectangular Lamp - 5000K	250	20000	80	70%	5000	100000	Y
1888501	ID-R300L-50K	300W Rectangular Lamp - 5000K	300	24000	80	70%	5000	100000	Y
1888502	ID-R400L-50K	400W Rectangular Lamp - 5000K	400	32000	80	70%	5000	100000	Y

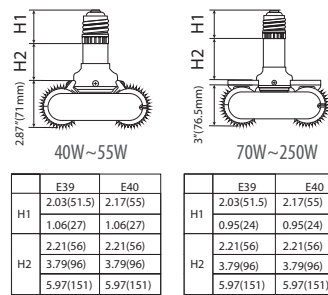
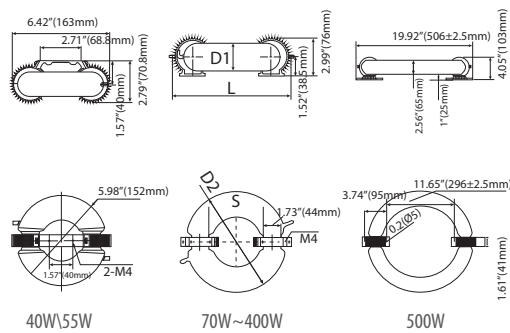
Electronic Ballast Specifications

Order Code	Model Number	Description	Lamp (W)	Voltage (V)	Power Factor	THD	Case Temperature	UL cUL
Profile Aluminum								
2485100	ID-B40-CR-120-PA	40W Circuline & Rectangular Lamp Ballast , 120-277V, Profile Aluminum	40	120-277V	>0.95	≤10%	<65°C	Y
2485106	ID-B55-CR-120-PA	55W Circuline & Rectangular Lamp Ballast , 120-277V, Profile Aluminum	55	120-277V	>0.95	≤10%	<65°C	Y
2486100	ID-B70-CR-120-PA	70W Circuline & Rectangular Lamp Ballast , 120-277V, Profile Aluminum	70	120-277V	>0.95	≤10%	<65°C	Y
2486101	ID-B80-CR-120-PA	80W Circuline & Rectangular Lamp Ballast , 120-277V, Profile Aluminum	80	120-277V	>0.95	≤10%	<65°C	Y
2486102	ID-B100-CR-120-PA	100W Circuline & Rectangular Lamp Ballast , 120-277V, Profile Aluminum	100	120-277V	>0.95	≤10%	<65°C	Y
2486103	ID-B120-CR-120-PA	120W Circuline & Rectangular Lamp Ballast , 120-277V, Profile Aluminum	120	120-277V	>0.95	≤10%	<65°C	Y
2487100	ID-B150-CR-120-PA	150W Circuline & Rectangular Lamp Ballast , 120-277V, Profile Aluminum	150	120-277V	>0.95	≤10%	<65°C	Y
2487101	ID-B200-CR-120-PA	200W Circuline & Rectangular Lamp Ballast , 120-277V, Profile Aluminum	200	120-277V	>0.95	≤10%	<65°C	Y
2487110	ID-B250-CR-120-PA	250W Circuline & Rectangular Lamp Ballast , 120-277V, Profile Aluminum	250	120-277V	>0.95	≤10%	<65°C	Y
2485200	ID-B40-CR-347-PA	40W Circuline & Rectangular Lamp Ballast , 208-347V, Profile Aluminum	40	208-347V	>0.95	≤10%	<65°C	Y
2486200	ID-B70-CR-347-PA	70W Circuline & Rectangular Lamp Ballast , 208-347V, Profile Aluminum	70	208-347V	>0.95	≤10%	<65°C	Y
2486201	ID-B80-CR-347-PA	80W Circuline & Rectangular Lamp Ballast , 208-347V, Profile Aluminum	80	208-347V	>0.95	≤10%	<65°C	Y
2486202	ID-B100-CR-347-PA	100W Circuline & Rectangular Lamp Ballast , 208-347V, Profile Aluminum	100	208-347V	>0.95	≤10%	<65°C	Y
2486203	ID-B120-CR-347-PA	120W Circuline & Rectangular Lamp Ballast , 208-347V, Profile Aluminum	120	208-347V	>0.95	≤10%	<65°C	Y
2487200	ID-B150-CR-347-PA	150W Circuline & Rectangular Lamp Ballast , 208-347V, Profile Aluminum	150	208-347V	>0.95	≤10%	<65°C	Y
2487201	ID-B200-CR-347-PA	200W Circuline & Rectangular Lamp Ballast , 208-347V, Profile Aluminum	200	208-347V	>0.95	≤10%	<65°C	Y
Die Cast Aluminum								
2486105	ID-B70-R-120-DCA	70W Rectangular Lamp Ballast , 120-277V, Die Cast Aluminum	70	120-277V	>0.95	≤10%	<65°C	Y
2486106	ID-B80-R-120-DCA	80W Rectangular Lamp Ballast , 120-277V, Die Cast Aluminum	80	120-277V	>0.95	≤10%	<65°C	Y
2486107	ID-B100-R-120-DCA	100W Rectangular Lamp Ballast , 120-277V, Die Cast Aluminum	100	120-277V	>0.95	≤10%	<65°C	Y
2487103	ID-B120-R-120-DCA	120W Rectangular Lamp Ballast , 120-277V, Die Cast Aluminum	120	120-277V	>0.95	≤10%	<65°C	Y
2487104	ID-B150-R-120-DCA	150W Rectangular Lamp Ballast , 120-277V, Die Cast Aluminum	150	120-277V	>0.95	≤10%	<65°C	Y
2487105	ID-B200-R-120-DCA	200W Rectangular Lamp Ballast , 120-277V, Die Cast Aluminum	200	120-277V	>0.95	≤10%	<65°C	Y
2487102	ID-B250-R-120-DCA	250W Rectangular Lamp Ballast , 120-277V, Die Cast Aluminum	250	120-277V	>0.95	≤10%	<65°C	Y
2488100	ID-B300-R-120-DCA	300W Rectangular Lamp Ballast , 120-277V, Die Cast Aluminum	300	120-277V	>0.95	≤10%	<65°C	Y
2488101	ID-B400-R-120-DCA	400W Rectangular Lamp Ballast , 120-277V, Die Cast Aluminum	400	120-277V	>0.95	≤10%	<65°C	Y
2486205	ID-B70-R347-DCA	70W Rectangular Lamp Ballast , 208-347V, Die Cast Aluminum	70	208-347V	>0.95	≤10%	<65°C	Y
2486206	ID-B80-R-347-DCA	80W Rectangular Lamp Ballast , 208-347V, Die Cast Aluminum	80	208-347V	>0.95	≤10%	<65°C	Y
2486207	ID-B100-R-347-DCA	100W Rectangular Lamp Ballast , 208-347V, Die Cast Aluminum	100	208-347V	>0.95	≤10%	<65°C	Y
2487203	ID-B120-R-347-DCA	120W Rectangular Lamp Ballast , 208-347V, Die Cast Aluminum	120	208-347V	>0.95	≤10%	<65°C	Y
2487204	ID-B150-R-347-DCA	150W Rectangular Lamp Ballast , 208-347V, Die Cast Aluminum	150	208-347V	>0.95	≤10%	<65°C	Y
2487205	ID-B200-R-347-DCA	200W Rectangular Lamp Ballast , 208-347V, Die Cast Aluminum	200	208-347V	>0.95	≤10%	<65°C	Y
2487202	ID-B250-R-347-DCA	250W Rectangular Lamp Ballast , 208-347V, Die Cast Aluminum	250	208-347V	>0.95	≤10%	<65°C	Y
2488200	ID-B300-R-347-DCA	300W Rectangular Lamp Ballast , 208-347V, Die Cast Aluminum	300	208-347V	>0.95	≤10%	<65°C	Y
2488201	ID-B400-R-347-DCA	400W Rectangular Lamp Ballast , 208-347V, Die Cast Aluminum	400	208-347V	>0.95	≤10%	<65°C	Y

LAMP & BALLAST – CIRCULINE

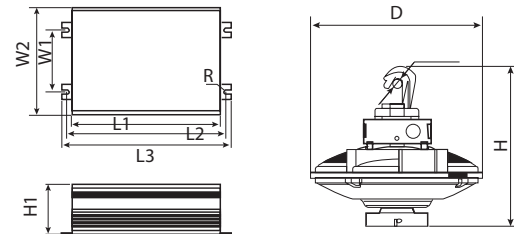


Induction Lamp Dimension



	E39	E40
H1	2.03(51.5)	2.17(55)
H2	0.95(24)	0.95(24)
H1	2.21(56)	2.21(56)
H2	3.79(96)	3.79(96)
H1	5.97(151)	5.97(151)
H2	5.97(151)	5.97(151)

Electronic Ballast Dimension



Profile aluminum(40W~400W)

Disc type(40W~500W)

Induction Lamp Dimensions

Unit: inches(mm)

Wattage	Dim	70W\80W	100W	120W	150W	200W	250W	300W	400W
Tube Diameter	D1	2.13(54)	2.13(54)	2.13(54)	2.13(54)	2.13(54)	2.28(58)	2.28(58)	2.28(58)
Lamp Width	D2±0.079(2)	7.09(180)	8.54(217)	9.80(249)	11.57(294)	13.94(354)	15.35(390)	17.36(441)	17.83(453)
Lamp Length	L±0.098(2.5)	7.91(201)	9.53(242)	10.79(274)	12.56(319)	15.00(381)	15.79(401)	18.23(463)	18.70(475)
Mounting Holes Spacing	S±0.098(2.5)	2.91(74)	4.45(113)	5.75(146)	7.56(192)	9.96(253)	10.75(273)	13.20(335)	13.66(347)

Electronic Ballast Dimensions (Profile Aluminum)

Unit: inches(mm)

Model Number	L1	L2	L3	W1	W2	R	H1
ID-B40-CR-120-PA, ID-B40-CR-347-PA	5.20(132.0)	5.63(143.0)	5.98(152.0)	2.48(63)	3.66(93.0)	0.10(2.5)	1.63(41.5)
ID-B55-CR-120-PA	5.20(132.0)	5.63(143.0)	5.98(152.0)	2.48(63)	3.66(93.0)	0.10(2.5)	1.63(41.5)
ID-B70-CR-120-PA, ID-B70-CR-347-PA	6.19(157.3)	6.70(170.3)	7.06(179.3)	2.38(60.5)	4.11(104.5)	0.10(2.5)	1.89(48.0)
ID-B80-CR-120-PA, ID-B80-CR-347-PA	6.19(157.3)	6.70(170.3)	7.06(179.3)	2.38(60.5)	4.11(104.5)	0.10(2.5)	1.89(48.0)
ID-B100-CR-120-PA, ID-B100-CR-347-PA	6.19(157.3)	6.70(170.3)	7.06(179.3)	2.38(60.5)	4.11(104.5)	0.10(2.5)	1.89(48.0)
ID-B120-CR-120-PA, ID-B120-CR-347-PA	7.44(189.0)	8.03(204.0)	8.46(215.0)	2.76(70.0)	4.72(120.0)	0.10(2.5)	2.09(53.0)
ID-B150-CR-120-PA, ID-B150-CR-347-PA	7.44(189.0)	8.03(204.0)	8.46(215.0)	2.76(70.0)	4.72(120.0)	0.10(2.5)	2.09(53.0)
ID-B200-CR-120-PA, ID-B200-CR-347-PA	7.44(189.0)	8.03(204.0)	8.46(215.0)	2.76(70.0)	4.72(120.0)	0.10(2.5)	2.09(53.0)
ID-B250-CR-120-PA							

Electronic Ballast Dimensions (Disc Type)

Unit: inches(mm)

Model Number	H	D
ID-B40-C-120-DA, ID-B40-C-347-DA	9.45(240)	08.07(0205)
ID-B70-C-120-DA, ID-B70-C-347-DA	9.45(240)	08.07(0205)
ID-B80-C-120-DA, ID-B80-C-347-DA	9.45(240)	08.07(0205)
ID-B100-C-120-DA, ID-B100-C-347-DA	9.45(240)	08.07(0205)
ID-B120-C-120-DA, ID-B120-C-347-DA	10.31(262)	09.61(0244)
ID-B150-C-120-DA, ID-B150-C-347-DA	10.31(262)	09.61(0244)
ID-B200-C-120-DA, ID-B200-C-347-DA	10.31(262)	09.61(0244)
ID-B250-C-120-DA, ID-B250-C-347-DA	10.79(274)	011.02(0280)
ID-B300-C-120-DA, ID-B300-C-347-DA	10.79(274)	011.02(0280)
ID-B400-C-120-DA, ID-B400-C-347-DA	10.79(274)	011.02(0280)
ID-B500-C-120-DA	10.79(274)	011.02(0280)

Induction Lamp Specifications

Order Code	Model Number	Description	Lamp (W)	Lumens Initial	CRI	Luminance Maintenance (60K Hours)	CTT (K)	Average Life	UL cUL
1885500	ID-C40L-50K	40W Circuline Lamp - 5000K	40	2800	80	70%	5000	100000	Y
1886500	ID-C70L-50K	70W Circuline Lamp - 5000K	70	4900	80	70%	5000	100000	Y
1886501	ID-C80L-50K	80W Circuline Lamp - 5000K	80	6000	80	70%	5000	100000	Y
1886502	ID-C100L-50K	100W Circuline Lamp - 5000K	100	7500	80	70%	5000	100000	Y
1887500	ID-C120L-50K	120W Circuline Lamp - 5000K	120	9000	80	70%	5000	100000	Y
1887501	ID-C150L-50K	150W Circuline Lamp - 5000K	150	12000	80	70%	5000	100000	Y
1887502	ID-C200L-50K	200W Circuline Lamp - 5000K	200	16000	80	70%	5000	100000	Y
1887503	ID-C250L-50K	250W Circuline Lamp - 5000K	250	20000	80	70%	5000	100000	Y
1888500	ID-C300L-50K	300W Circuline Lamp - 5000K	300	24000	80	70%	5000	100000	Y
1888503	ID-C400L-50K	400W Circuline Lamp - 5000K	250	20000	80	70%	5000	100000	Y
1888504	ID-C500L-50K	500W Circuline Lamp - 5000K	300	24000	80	70%	5000	100000	Y

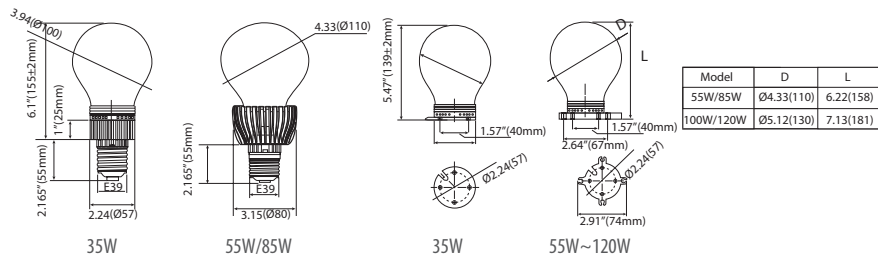
Electronic Ballast Specifications

Order Code	Model Number	Description	Lamp (W)	Voltage (V)	Power Factor	THD	Case Temperature	UL cUL
Profile Aluminum								
2485100	ID-B40-CR-120-PA	40W Circuline & Rectangular Lamp Ballast , 120-277V, Profile Aluminum	40	120-277V	>0.95	≤10%	<65°C	Y
2485106	ID-B55-CR-120-PA	55W Circuline & Rectangular Lamp Ballast , 120-277V, Profile Aluminum	55	120-277V	>0.95	≤10%	<65°C	Y
2486100	ID-B70-CR-120-PA	70W Circuline & Rectangular Lamp Ballast , 120-277V, Profile Aluminum	70	120-277V	>0.95	≤10%	<65°C	Y
2486101	ID-B80-CR-120-PA	80W Circuline & Rectangular Lamp Ballast , 120-277V, Profile Aluminum	80	120-277V	>0.95	≤10%	<65°C	Y
2486102	ID-B100-CR-120-PA	100W Circuline & Rectangular Lamp Ballast , 120-277V, Profile Aluminum	100	120-277V	>0.95	≤10%	<65°C	Y
2486103	ID-B120-CR-120-PA	120W Circuline & Rectangular Lamp Ballast , 120-277V, Profile Aluminum	120	120-277V	>0.95	≤10%	<65°C	Y
2487100	ID-B150-CR-120-PA	150W Circuline & Rectangular Lamp Ballast , 120-277V, Profile Aluminum	150	120-277V	>0.95	≤10%	<65°C	Y
2487101	ID-B200-CR-120-PA	200W Circuline & Rectangular Lamp Ballast , 120-277V, Profile Aluminum	200	120-277V	>0.95	≤10%	<65°C	Y
2487110	ID-B250-CR-120-PA	250W Circuline & Rectangular Lamp Ballast , 120-277V, Profile Aluminum	250	120-277V	>0.95	≤10%	<65°C	Y
2485200	ID-B40-CR-347-PA	40W Circuline & Rectangular Lamp Ballast , 208-347V, Profile Aluminum	40	208-347V	>0.95	≤10%	<65°C	Y
2486200	ID-B70-CR-347-PA	70W Circuline & Rectangular Lamp Ballast , 208-347V, Profile Aluminum	70	208-347V	>0.95	≤10%	<65°C	Y
2486201	ID-B80-CR-347-PA	80W Circuline & Rectangular Lamp Ballast , 208-347V, Profile Aluminum	80	208-347V	>0.95	≤10%	<65°C	Y
2486202	ID-B100-CR-347-PA	100W Circuline & Rectangular Lamp Ballast , 208-347V, Profile Aluminum	100	208-347V	>0.95	≤10%	<65°C	Y
2486203	ID-B120-CR-347-PA	120W Circuline & Rectangular Lamp Ballast , 208-347V, Profile Aluminum	120	208-347V	>0.95	≤10%	<65°C	Y
2487200	ID-B150-CR-347-PA	150W Circuline & Rectangular Lamp Ballast , 208-347V, Profile Aluminum	150	208-347V	>0.95	≤10%	<65°C	Y
2487201	ID-B200-CR-347-PA	200W Circuline & Rectangular Lamp Ballast , 208-347V, Profile Aluminum	200	208-347V	>0.95	≤10%	<65°C	Y
Die Cast Aluminum								
2485104	ID-B40-C-120-DA	40W Circuline Lamp Ballast , 120-277V, Disc Aluminum	40	120-277V	>0.95	≤10%	<65°C	Y
2486108	ID-B70-C-120-DA	70W Circuline Lamp Ballast , 120-277V, Disc Aluminum	70	120-277V	>0.95	≤10%	<65°C	Y
2486109	ID-B80-C-120-DA	80W Circuline Lamp Ballast , 120-277V, Disc Aluminum	80	120-277V	>0.95	≤10%	<65°C	Y
2486110	ID-B100-C-120-DA	100W Circuline Lamp Ballast , 120-277V, Disc Aluminum	100	120-277V	>0.95	≤10%	<65°C	Y
2487106	ID-B120-C-120-DA	120W Circuline Lamp Ballast , 120-277V, Disc Aluminum	120	120-277V	>0.95	≤10%	<65°C	Y
2487107	ID-B150-C-120-DA	150W Circuline Lamp Ballast , 120-277V, Disc Aluminum	150	120-277V	>0.95	≤10%	<65°C	Y
2487108	ID-B200-C-120-DA	200W Circuline Lamp Ballast , 120-277V, Disc Aluminum	200	120-277V	>0.95	≤10%	<65°C	Y
2487109	ID-B250-C-120-DA	250W Circuline Lamp Ballast , 120-277V, Disc Aluminum	250	120-277V	>0.95	≤10%	<65°C	Y
2488102	ID-B300-C-120-DA	300W Circuline Lamp Ballast , 120-277V, Disc Aluminum	300	120-277V	>0.95	≤10%	<65°C	Y
2488103	ID-B400-C-120-DA	400W Circuline Lamp Ballast , 120-277V, Disc Aluminum	400	120-277V	>0.95	≤10%	<65°C	Y
2488104	ID-B500-C-120-DA	500W Circuline Lamp Ballast , 120-277V, Disc Aluminum	500	120-277V	>0.95	≤10%	<65°C	Y
2485204	2485204	40W Circuline Lamp Ballast , 208-347V, Disc Aluminum	40	208-347V	>0.95	≤10%	<65°C	Y
2486208	2486208	70W Circuline Lamp Ballast , 208-347V, Disc Aluminum	70	208-347V	>0.95	≤10%	<65°C	Y
2486209	2486209	80W Circuline Lamp Ballast , 208-347V, Disc Aluminum	80	208-347V	>0.95	≤10%	<65°C	Y
2486210	2486210	100W Circuline Lamp Ballast , 208-347V, Disc Aluminum	100	208-347V	>0.95	≤10%	<65°C	Y
2487206	2487206	120W Circuline Lamp Ballast , 208-347V, Disc Aluminum	120	208-347V	>0.95	≤10%	<65°C	Y
2487207	2487207	150W Circuline Lamp Ballast , 208-347V, Disc Aluminum	150	208-347V	>0.95	≤10%	<65°C	Y
2487208	2487208	200W Circuline Lamp Ballast , 208-347V, Disc Aluminum	200	208-347V	>0.95	≤10%	<65°C	Y
2487209	2487209	250W Circuline Lamp Ballast , 208-347V, Disc Aluminum	250	208-347V	>0.95	≤10%	<65°C	Y
2488202	2488202	300W Circuline Lamp Ballast , 208-347V, Disc Aluminum	300	208-347V	>0.95	≤10%	<65°C	Y
2488203	2488203	400W Circuline Lamp Ballast , 208-347V, Disc Aluminum	400	120-277V	>0.95	≤10%	<65°C	Y

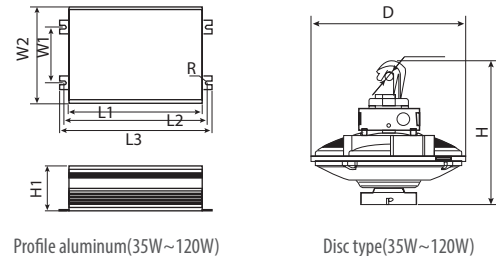
LAMP & BALLAST – A-SHAPE



Induction Lamp Dimension



Electronic Ballast Dimension



Electronic Ballast Dimensions (Profile Aluminum)

Unit: inches(mm)

Model Number	L1	L2	L3	W1	W2	R	H1
ID-A35L-120-PA, ID-A35L-347-PA	5.20(132)	5.63(143)	5.98(152)	2.76(70)	3.66(93)	0.10(2.5)	1.63(41.5)
ID-A55L-120-PA, ID-A55L-347-PA	5.20(132)	5.63(143)	5.98(152)	2.76(70)	3.66(93)	0.10(2.5)	1.63(41.5)
ID-A85L-120-PA, ID-A85L-347-PA	6.19(157.3)	6.70(170.3)	7.06(179.3)	2.38(60.5)	4.11(104.5)	0.10(2.5)	1.89(48)

Electronic Ballast Dimensions (Disc Type)

Unit: inches(mm)

Model Number	H	D
ID-A35L-120-DA, ID-A35L-347-DA	8.11(206)	6.54(166)
ID-A55L-120-DA, ID-A55L-347-DA	8.11(206)	6.54(166)
ID-A85L-120-DA, ID-A85L-347-DA	9.45(240)	8.07(205)

Induction Lamp Specifications

Order Code	Model Number	Description	Lamp (W)	Lumens Initial	CRI	Luminance Maintenance (60K Hours)	CTT (K)	Average Life	UL cUL
1885504	ID-A35L-50K	35W A-Shape Lamp - 5000K	35	2450	80	70%	5000	60000	Y
1885505	ID-A55L-50K	55W A-Shape Lamp - 5000K	55	4125	80	70%	5000	60000	Y
1886506	ID-A85L-50K	85W A-Shape Lamp - 5000K	85	6375	80	70%	5000	60000	Y

Electronic Ballast Specifications

Order Code	Model Number	Description	Lamp (W)	Voltage (V)	Power Factor	THD	Case Temperature	UL cUL
2485102	ID-A35L-120-PA	35W A-Shape Lamp Ballast, 120-277V, Profile Aluminum	35	120-277V	>0.95	≤10%	<65°C	Y
2485103	ID-A55L-120-PA	55W A-Shape Lamp Ballast, 120-277V, Profile Aluminum	55	120-277V	>0.95	≤10%	<65°C	Y
2486104	ID-A85L-120-PA	85W A-Shape Lamp Ballast, 120-277V, Profile Aluminum	85	120-277V	>0.95	≤10%	<65°C	Y
2485105	ID-A35L-120-DA	35W A-Shape Lamp Ballast, 120-277V, Disc Aluminum	35	120-277V	>0.95	≤10%	<65°C	Y
2485105	ID-A55L-120-DA	55W A-Shape Lamp Ballast, 120-277V, Disc Aluminum	55	120-277V	>0.95	≤10%	<65°C	Y
2486111	ID-A85L-120-DA	85W A-Shape Lamp Ballast, 120-277V, Disc Aluminum	85	120-277V	>0.95	≤10%	<65°C	Y
2485202	ID-A35L-347-PA	35W A-Shape Lamp Ballast, 208-347V, Profile Aluminum	35	208-347V	>0.95	≤10%	<65°C	Y
2485203	ID-A55L-347-PA	55W A-Shape Lamp Ballast, 208-347V, Profile Aluminum	55	208-347V	>0.95	≤10%	<65°C	Y
2486204	ID-A85L-347-PA	85W A-Shape Lamp Ballast, 208-347V, Profile Aluminum	85	208-347V	>0.95	≤10%	<65°C	Y
2485205	ID-A35L-347-DA	35W A-Shape Lamp Ballast, 208-347V, Disc Aluminum	35	208-347V	>0.95	≤10%	<65°C	Y
2485205	ID-A55L-347-DA	55W A-Shape Lamp Ballast, 208-347V, Disc Aluminum	55	208-347V	>0.95	≤10%	<65°C	Y
2486211	ID-A85L-347-DA	85W A-Shape Lamp Ballast, 208-347V, Disc Aluminum	85	208-347V	>0.95	≤10%	<65°C	Y