

LED FIXTURE

RIGID Series



LED Vanity Light & Wall Sconce RGD-VN, RGD-WS

LED 2 ring vanity light & wall sconce



5-year limited warranty

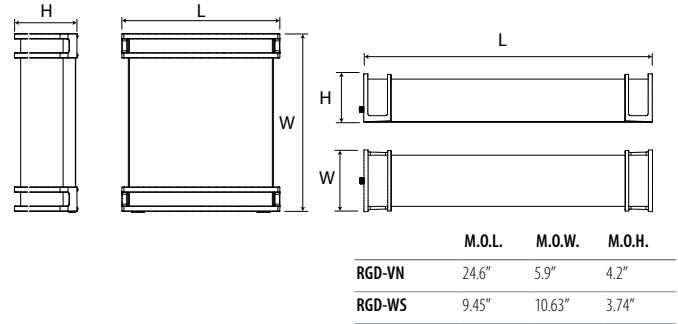
Operating temperature range -20° C ~ +40° C



Features & Benefits

cUL / cETLus listed, Energy Star rated
Aluminium frame, great lighting distribution without any shadow
White PMMA lens
TRIAC (10-100%) dimmable
120V 60 Hz Input, PF>0.9
High CRI (80+)
L70 @ 50,000 hrs
Damp location rated

Dimensional Drawing



Ordering Information Example: RGD-VN/2F/14W/30/D/2R

Family Name	Fixture Type	Wattage	CCT	Dimmable	Type
RGD (Rigid)	VN/2F (LED 2' vanity light) WS(LED wall sconce)	14W 15W	30 (3000K) 40 (4000K)	D (Dimmable)	2R (2 Ring)

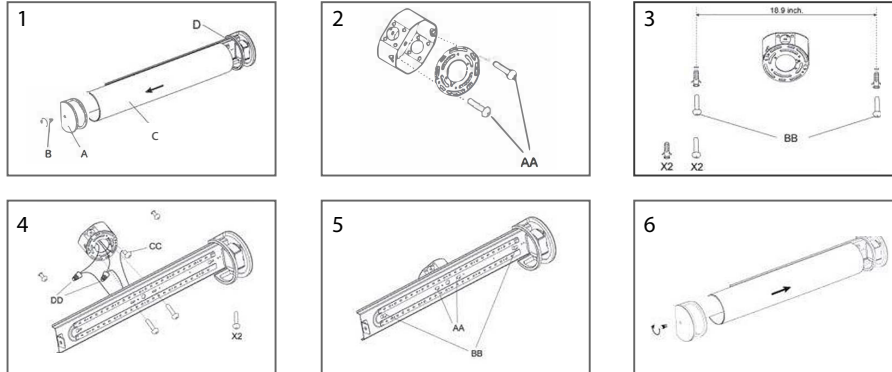
Product Specification

Ordering Code	Energy Star	Model Number	Description	Wattage (W)	Input Voltage (V)	Hour Rating	Initial Delivered Lumens (lm)	CCT (K)	CRI	Damp Location	M.O.D. L×W×H (inch)	Case QTY.
3663123	Y	RGD-VN/2F/14W/30/D/2R	LED vanity light, 2' 14W 3000K 2 ring	14	120	50,000	1450	3000	80	Y	24.6×5.9×4.2	4
3663124	Y	RGD-VN/2F/14W/40/D/2R	LED vanity light, 2' 14W 4000K 2 ring	14	120	50,000	1450	4000	80	Y	24.6×5.9×4.2	4
3663125	Y	RGD-WS/15W/30/D/2R	LED wall sconce, 15W, 3000K 2 ring	15	120	50,000	1100	3000	80	Y	9.45×10.63×3.74	6
3663126	Y	RGD-WS/15W/40/D/2R	LED wall sconce, 15W, 4000K 2 ring	15	120	50,000	1100	4000	80	Y	9.45×10.63×3.74	6

LED Vanity Light & Wall Sconce

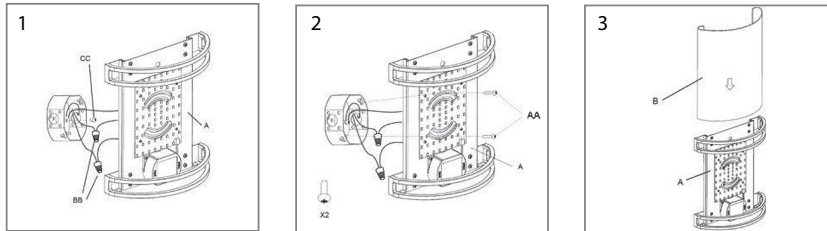
RGD-VN, RGD-WS

Installation - Vanity Light



1. Remove the ring and lens from the housing.
2. Insert long screws(AA) into aligned holes, and tighten the two long screws.
3. Mark the keyhole slots and drill the two holes, then insert long screws into anchors.
4. Connect the fixture wires accordingly.
5. Put the long screws through the keyholes, and thread into the J-box.
6. Secure the lens and top ring up to the housing.

Installation - Wall Sconce



1. Connect the fixture wires accordingly.
2. Put the long screws through the keyholes, and thread into the J-box.
3. Align the tabs on fixture pan(A) with the channels on lens(B), then insert lens(B) into fixture pan(A).