

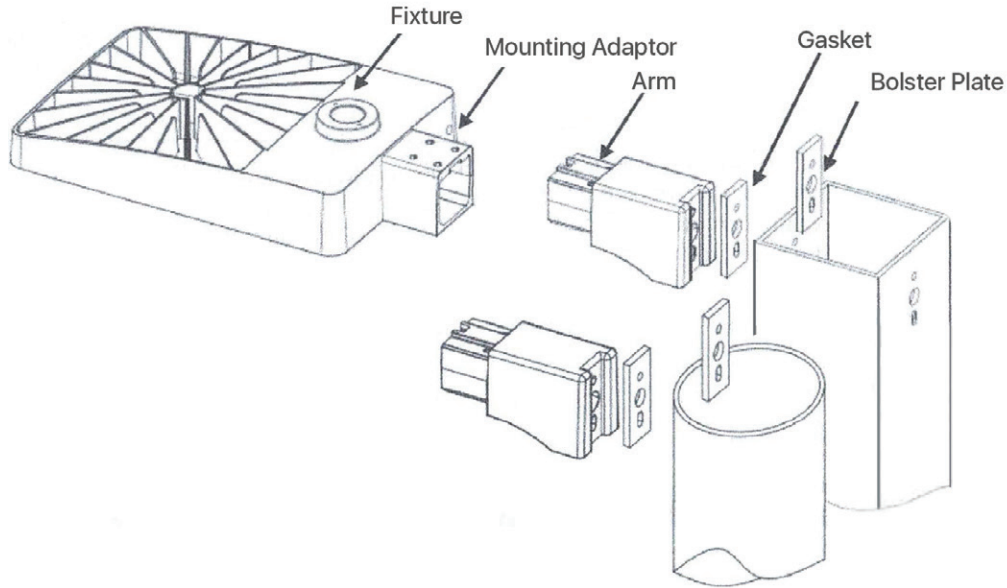
Installation Instruction

LED Area Light

This area light is available in SQUARE/ROUND POLE ARM, ADJUSTABLE SLIP FITTER, ADJUSTABLE YOKE mountings.

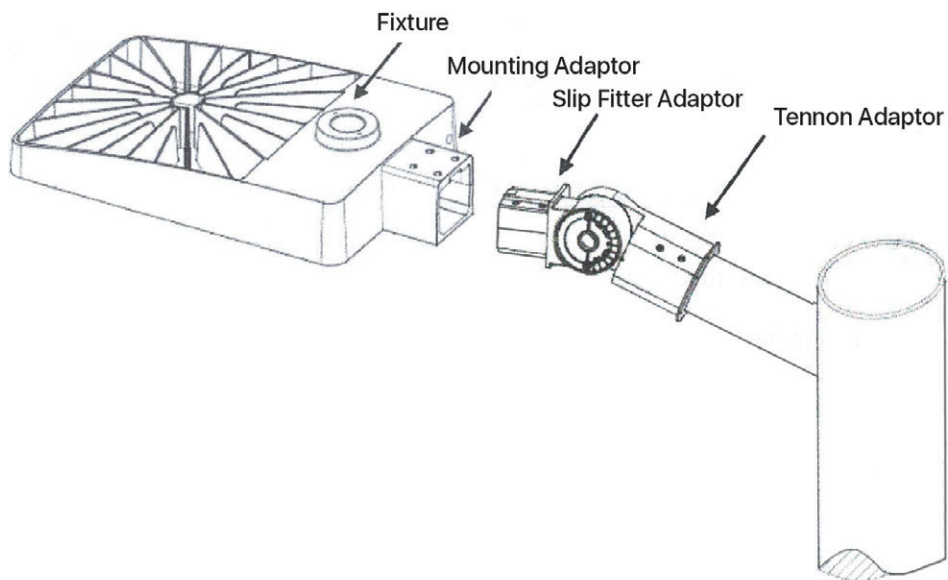
A: SQUARE OR ROUND POLE ARM_MOUNT

1. Remove ARM COVER from ARM.
2. Locate ARM onto POLE, and insert LONG BOLTS through ARM, GASKET and threaded into BOLSTER PLATE.
3. Slide MOUNTING ADAPTOR of FIXTURE into ARM.
4. Tighten (4) socket head set screws located on top of MOUNTING ADAPTOR.
5. Route the cord coming from the fixture through ARM and then through the pole.
6. Install ARM COVER back to ARM.



B: ADJUSTABLE SLIP FITTER MOUNT

1. Install ADJUSTABLE SLIP FITTER on to TENNON.
2. Slide MOUNTING ADAPTOR of FIXTURE into SLIP FITTER ADAPTOR.
3. Tighten (4) socket head set screws located on top of MOUNTING ADAPTOR.
4. Route the cord coming from the fixture through MOUNTING ADAPTOR, SLIP FITTER ADAPTOR, TENNON ADAPTOR and then through pole.



Installation Instruction

LED Area Light

2/2

C: ADJUSTABLE YOKE MOUNT

1. Check that the surface structure is drilled according to Yoke Mount Drilling Pattern, drill a minimum of three (3) holes in the surface where the luminaire is to be mounted.
2. Ensure that the mounting position can safely support the weight of the luminaire.
3. Mount the Trunnion Bracket using studs to the surface structure. Make sure that Yoke Bracket is securely attached.
4. Adjust the angle as needed.
5. Slide Fixture Head and Mounting Adaptor onto Trunnion Bracket. Tighten 4x screws on top of Mounting Adaptor.
6. Make the necessary electrical connections. SEE WIRING for Electrical Connection and wiring diagram instructions.

