

# Installation Instruction

## LED Area Light

Applicable models:  
SSL-AL3/T3

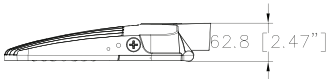
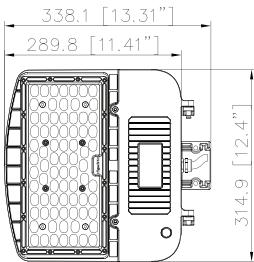
### Cautions:

- 1 Can not use the electric generator to test the LED lamp.
- 2 Please abide by related country, regional and local law and regulations when installing this fixture.
- 3 To avoid electrical shock and damage, ensure that power is off at electrical panel before installing.

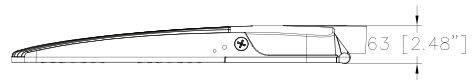
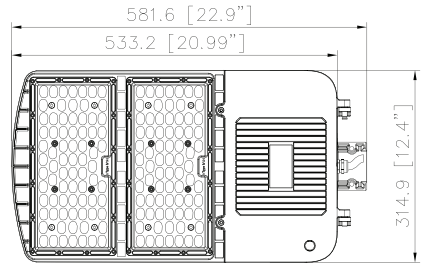
### Notices:

- 1 Install by a qualified licensed professional only.
- 2 This light can be used for outdoor installation.

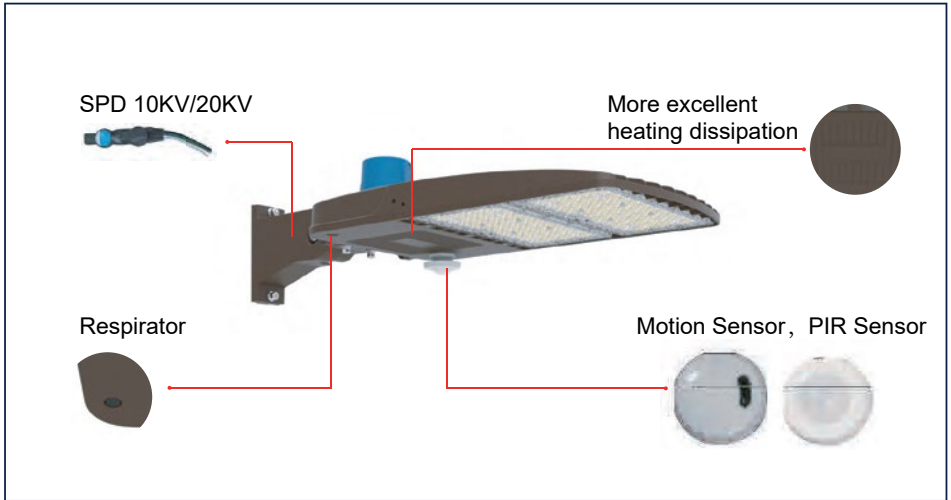
**150/100/70W**



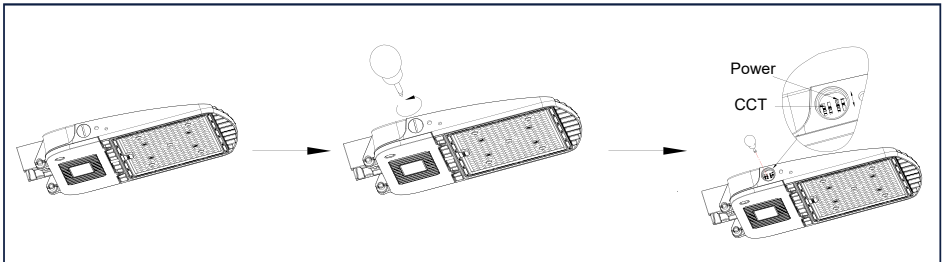
**300/240/200W**



## Extended function:



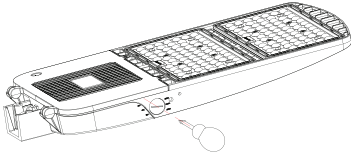
## CCT / Wattage Selectable



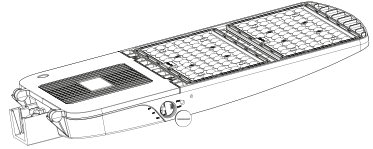
# Installation Instruction

## 1.Adjust power and color temperature installation :

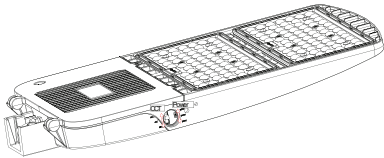
1. Unscrew the plug screws using screws, as shown in Figure 1.



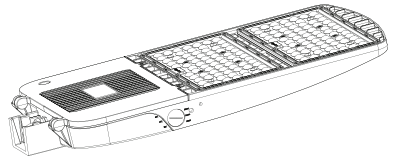
2.Remove the plug screw, as shown in Figure 2.



3. Flip the color temperature switch to the desired color temperature, flip the power switch to the desired wattage, as shown in Figure 3.



4. Install plug screws and tighten them with a screwdriver, as shown in Figure 4.



## Product Application

### Accessories mounting brackets

TYPE A (Slip-fitter)



TYPE B(Square/Round pole mount with slip- fitter function)



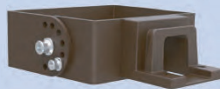
TYPE A+B



TYPE C  
(Square/Round pole mount)



TYPE D  
(Trunnion)



TYPE E  
(Yoke)



TYPE F  
(Slip fitter+ Arm mounted)



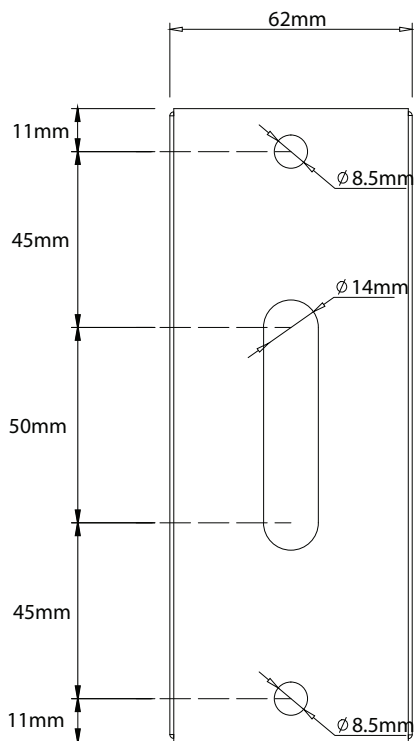
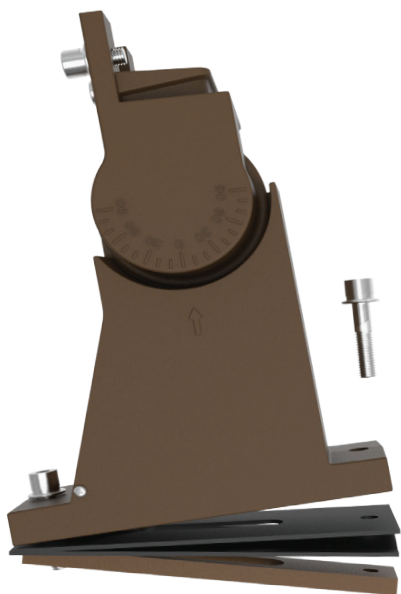
# Dimensional Drawing

Applicable models:  
SSL-AL3/SQ-RD-POLE-MTG/DB

Type B, Square/Round pole mount with slip- fitter function bracket

---

Use 2pcs M8\*40 screws



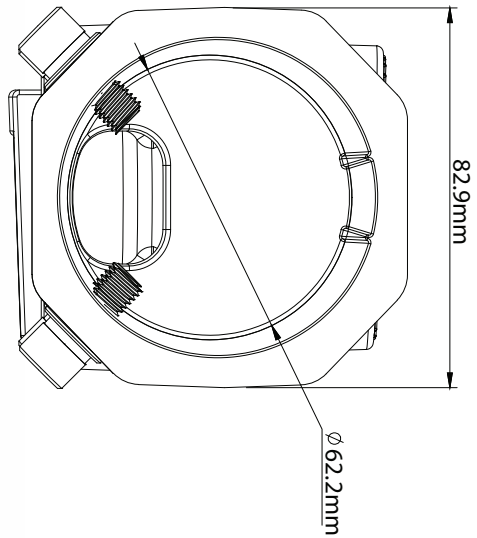
# Dimensional Drawing

## Type A, Slip-fitter bracket

Applicable models:  
SSL-AL3/SSF-MTG/DB



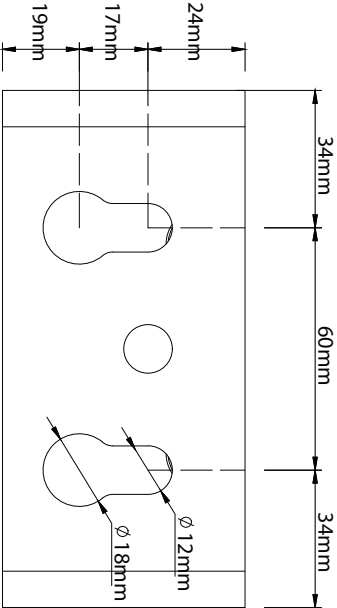
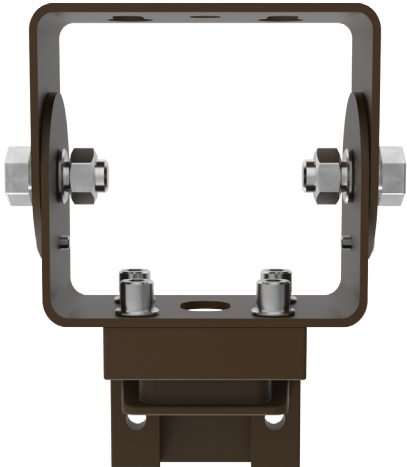
Use 4pcs M8\*25 screws



# Dimensional Drawing

## Type D, Trunnion bracket

Applicable models:  
SSL-AL3/TRUN-MTG/DB



# Dimensional Drawing

## Type E, Yoke bracket

Applicable models:  
SSL-AL3/YOKES-MTG/DB

