

Installation Instruction

LED Surface Discus

Applicable models:
RGD-HS2

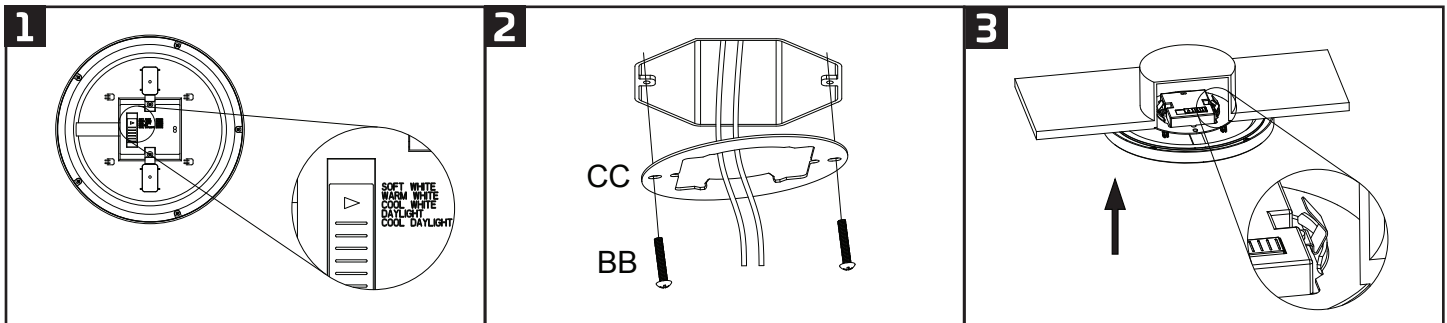
SAFETY PRECAUTIONS:

- WARNING: RISK OF SHOCK.
- WARNING: RISK OF FIRE. USE AC120 50/60HZ CIRCUITS.
- SUITABLE FOR DAMP LOCATIONS.
- THIS FIXTURE SHOULD BE INSTALLED BY A QUALIFIED LICENSED ELECTRICIAN. ALL ELECTRICAL CONNECTIONS MUST BE IN ACCORDANCE WITH LOCAL AND NATIONAL ELECTRICAL CODE (NEC) STANDARDS.
- OPERATING TEMPERATURE: -20°C TO 40°C (-4°F TO 104°F).
- MIN 90°C SUPPLY CONDUCTORS.
- SUITABLE FOR OPERATION IN AMBIENT NOT EXCEEDING 40°C.

SURFACE MOUNTING INSTALLATION:

PLAN A

1. Select desired color temperature.
2. Attach mounting plate (CC) to Junction Box with screws (BB).
3. Facing up the lighting and embedded in the board.



PLAN B (Suitable for 7", 9", 11")

1. Fasten the circlip (EE) to the luminaire (A) with screws (AA).
2. Pull the spring in the direction indicated by the arrow.
3. Facing up the lighting and embedded in the board.

