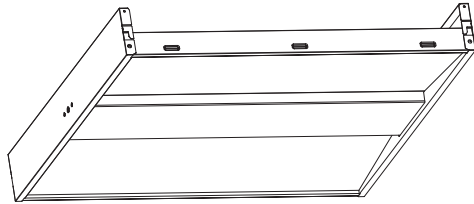


Installation Instruction

LED Centre Basket

Applicable models:
SGS-R/14, SGS-R/22, SGS-R/24

CCT & Wattage Selectable



SAFETY INFORMATION

Please read and understand this entire manual before attempting to assemble, operate or install the product. Failure to do so could lead to electric shock, fire or other injuries that could be hazardous or even fatal.

- Be sure the electricity to the wires you are working on is shut off. Either remove the fuse or turn off the circuit breaker.
- Changes or modifications not expressly approved by the party responsible for compliance could void the user's authority to operate the equipment.

CAUTION:

- This product can only be dimmed with a 0-10 Volt dimming system.
- This product must be installed in accordance with local, state and national electrical codes.
- Installation work shall be completed by a licensed installer that is familiar with the construction and operations of the product.

SAFETY INFORMATION

NOTICE

This device complies with Part 15 of the FCC Rules. Operation is subject to the following two conditions: (1) This device may not cause harmful interference, and (2) this device must accept any interference received, including interference that may cause undesired operation.

This equipment has been tested and found to comply with the limits for a Class B digital device, pursuant to part 15 of the FCC Rules. These limits are designed to provide reasonable protection against harmful interference in a residential installation. This equipment generates, uses and can radiate radio frequency energy and, if not installed and used in accordance with the instructions, may cause harmful interference to radio or television reception, which can be determined by turning the equipment the equipment off and on. The user is encouraged to try to correct the interference by one or more of the following measures:

- Reorient or relocate the receiving antenna.
- Increase the separation between the equipment and the receiver.
- Connect the equipment into an outlet on a circuit different from that to which the receiver is connected.
- Consult the dealer or an experienced radio/TV technician for help.

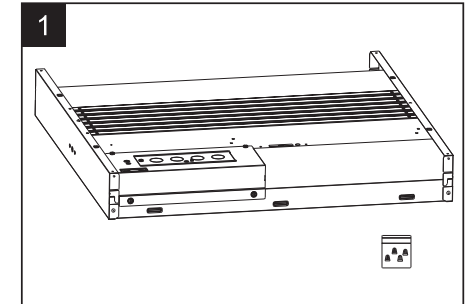
Installation Instruction

LED Centre Basket

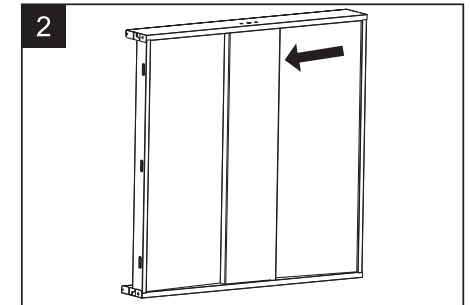
Applicable models:
SGS-R/14, SGS-R/22, SGS-R/24

INSTALLATION INSTRUCTIONS

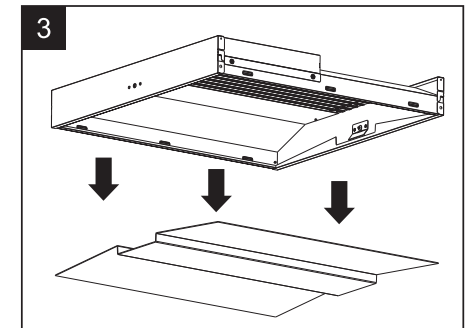
1. Take out the light fixture and accessory pack from the packaging.



2. To take out the lens: Hold the raised middle part of the lens and apply a downward and inward force. One end of the lens will detach from the metal clip, allowing you to remove the other end as well. Tilt the lens inside the light fixture to remove one end first, then take out the entire lens. How to install the lens: Hold the raised middle part of the lens, tilt one end of the lens and insert it into the fixture first then insert the other end. Clip one end into the metal clip first, then pull the other end into the clip. Adjust the position of the lens as needed.



3. Remove the lens from the fixture, peel off the protective film on the lens, and take out the internal packing material. After removing the packing material, place the lens back into the fixture.



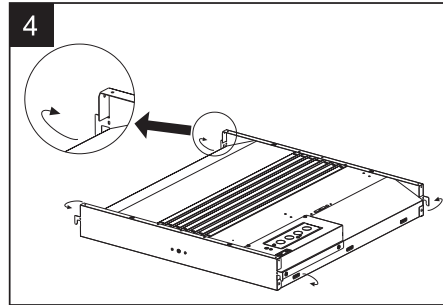
Installation Instruction

LED Centre Basket

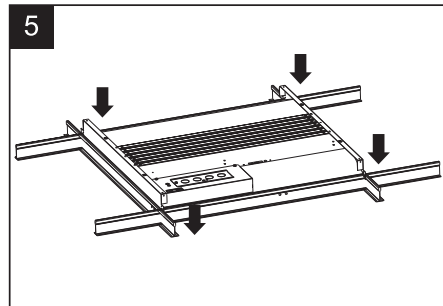
Applicable models:
SGS-R/14, SGS-R/22, SGS-R/24

INSTALLATION INSTRUCTIONS

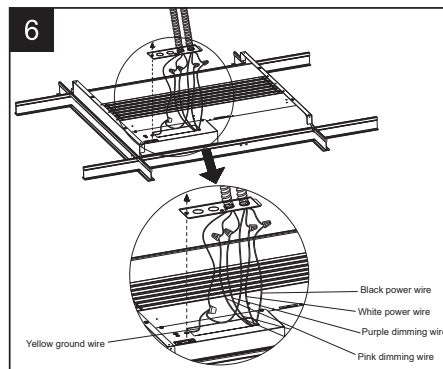
4. Pry open the illustrated mounting hook by hand.



5. Place the light fixture into the mounting bracket.



6. Unscrew the cover plate of the driver box, pry open the reserved hole, connect the black and white power wires, and connect the purple and pink dimming wires as needed. After completing the operation, close the cover plate of the driver box.



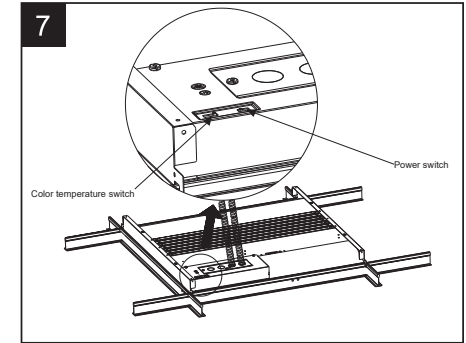
Installation Instruction

LED Centre Basket

Applicable models:
SGS-R/14, SGS-R/22, SGS-R/24

INSTALLATION INSTRUCTIONS

7. Slide the switch to select the appropriate color temperature and power.



CARE AND MAINTENANCE

Clean with a mild, non-abrasive glass cleaner and soft cloth. Do NOT use solvents or cleaners containing abrasive agents. When cleaning the fixture, make sure the power is turned off, and any liquid spray should be applied to the cleaning cloth and not sprayed directly onto the fixture itself.

TROUBLESHOOTING

Problem	Possible Solution	Corrective Action
Fixture does not light.	1. Power is off. 2. Incorrect wire connection. 3. Defective wall switch.	1. Check circuit breaker or wall switch. 2. Check wire splices. 3. Replace switch.
Circuit breaker trips when light is turned on.	Crossed wires or power wire is grounded out.	Verify wires are correctly connected.

WARRANTY

This fixture is warranted to perform free from defects for five (5) years.