
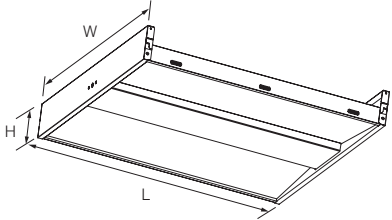

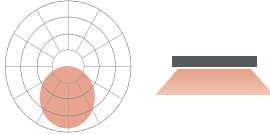


Project:			
Ordering info:			
Submitted by:		Date:	



Signature - Square Frosted Lens SGS-R		Wattage Range 30-60W	Lumen Range 3,750-7,500lm	Light Efficacy 125lm/W																
		Square frosted lens Available in 1'x4', 2'x2', and 2'x4'																		
		4CCT Selectable 3000K 3500K 4000K 5000K																		
		Finishes White																		
				<table border="1"> <thead> <tr> <th></th> <th>L</th> <th>W</th> <th>H</th> </tr> </thead> <tbody> <tr> <td>SGS-R/14</td> <td>1212mm 47.72"</td> <td>299mm 11.77"</td> <td>63mm 2.48"</td> </tr> <tr> <td>SGS-R/22</td> <td>602mm 23.70"</td> <td>603.4mm 23.76"</td> <td>83mm 3.27"</td> </tr> <tr> <td>SGS-R/24</td> <td>1212mm 47.72"</td> <td>603.4mm 23.76"</td> <td>83mm 3.27"</td> </tr> </tbody> </table>		L	W	H	SGS-R/14	1212mm 47.72"	299mm 11.77"	63mm 2.48"	SGS-R/22	602mm 23.70"	603.4mm 23.76"	83mm 3.27"	SGS-R/24	1212mm 47.72"	603.4mm 23.76"	83mm 3.27"
	L	W	H																	
SGS-R/14	1212mm 47.72"	299mm 11.77"	63mm 2.48"																	
SGS-R/22	602mm 23.70"	603.4mm 23.76"	83mm 3.27"																	
SGS-R/24	1212mm 47.72"	603.4mm 23.76"	83mm 3.27"																	

Ordering Guide Example: SGS-R/14/SF/050L/MK4/90/UN3/D1

Family/Series	Mounting	Size	Diffuser Style	Max Total Lumens	CCT 30/35/40/50K	CRI	Voltage	Driver
SGS	R Recessed	<input type="checkbox"/> 14 1' x 4' <input type="checkbox"/> 22 2' x 2' <input type="checkbox"/> 24 2' x 4'	<input type="checkbox"/> SF Squared <input type="checkbox"/> Frosted	<input type="checkbox"/> 050L 5,000 <input type="checkbox"/> 075L 7,500	MK4	90	UN3 120-347V	D1 0-10V Dim 1%

Options

- BP** Battery Pack (Filed Install)
- LVM** Low Voltage Microwave Sensor
- LVM Controller

Model & Ordering Information

Ordering Code	Model Number	Wattage (W)	Input Voltage (V)	Hour Rating (hrs)	Initial Delivered Lumens (lumen)	CCT (K)	CRI	Case QTY
3682113	SGS-R/14/SF/050L/MK4/90/UN3/D1	40-36-30W	120-347V	50,000	5000-4500-3750	30-35-40-50	90	1
3682114	SGS-R/22/SF/050L/MK4/90/UN3/D1	40-36-30W	120-347V	50,000	5000-4500-3750	30-35-40-50	90	1
3682115	SGS-R/24/SF/075L/MK4/90/UN3/D1	60-50-40W	120-347V	50,000	7500-6250-5000	30-35-40-50	90	1
3660270	RGD-CB3/14/FRM/WH	Surface Mount Frame 1x4.						
3660271	RGD-CB3/22/FRM/WH	Surface Mount Frame 2x2.						
3660272	RGD-CB3/24/FRM/WH	Surface Mount Frame 2x4.						

Project:			
Ordering info:			
Submitted by:		Date:	



Specifications

Housing:	Cold-Rolled Steel Housing and Trim
Optics:	Fully Luminous Frosted PC smooth Lens, uniform across entire lens surface.
Driver:	LED driver is contractor wattage selectable and universal 120-347V input (up to 3 different settings) Less than 20%THD and 0-10V dimmable down to 1%. Ambient operating temperatures -20C to 40C.
Size:	Available in sizes 1X4, 2X2, 2X4 for Grid patterned T-Bar ceilings, recessed or surface mounted applications.

LED:	Name brand LED with long life, 125lm/w. Selectable CCT with <90 CRI.
Certification	cETLus, DLC Premium listed
Options:	Field installable Sensor option thanks to built in 12v Aux power supply. Filed installable Emergency Option (BP).

Polar Candela Distribution

