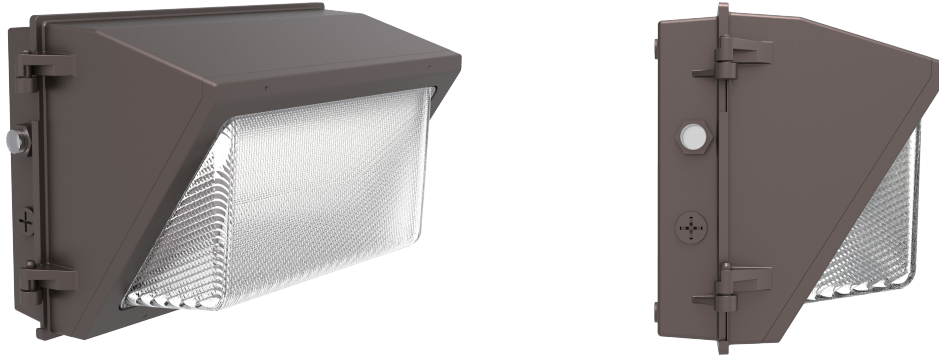


# Installation Instruction

## LED Glass Wall Pack

Applicable models:  
SSL-WP1T+



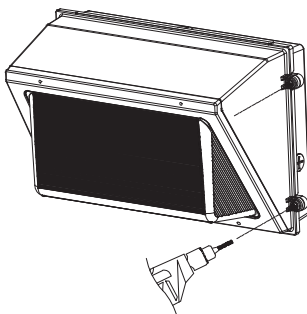
### HARDWARE INCLUDED



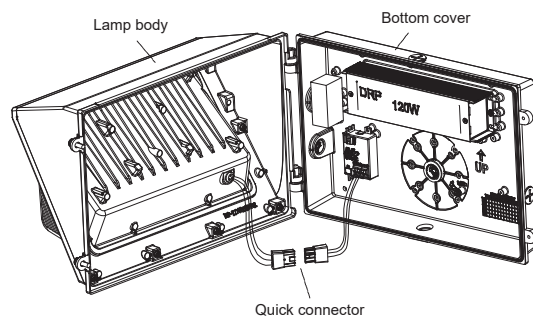
Part	Description	Quantity
AA	Knob terminal block	5
BB	Mounting cushion	1

### Selecting CCT and FAO

<b>CCT Setting</b>		Note: 4000K is default setting
<b>FAO Setting</b>		Note: 120W is default setting



Step 1: Turn on the lamp body

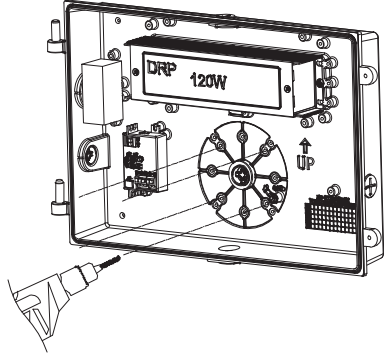


Step 2: Unplug the quick connector and separate the lamp body from the bottom cover

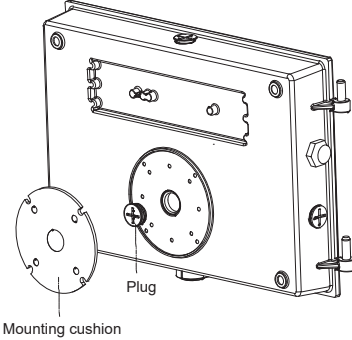
# Installation Instruction

## LED Glass Wall Pack

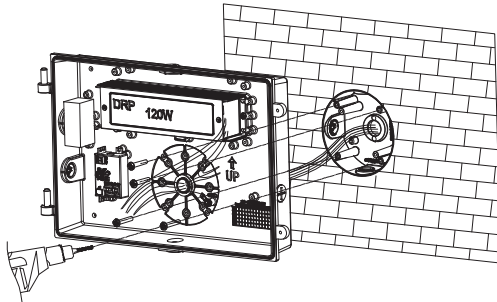
Applicable models:  
SSL-WP1T+



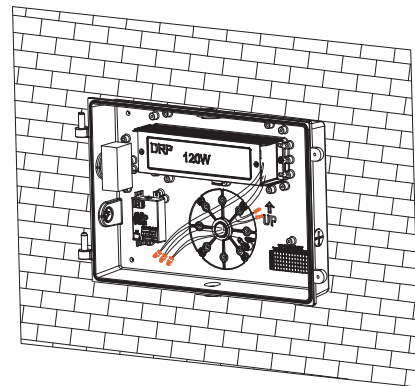
Step 3: Drill holes in the bottom cover and select the hole location to be installed according to the actual situation



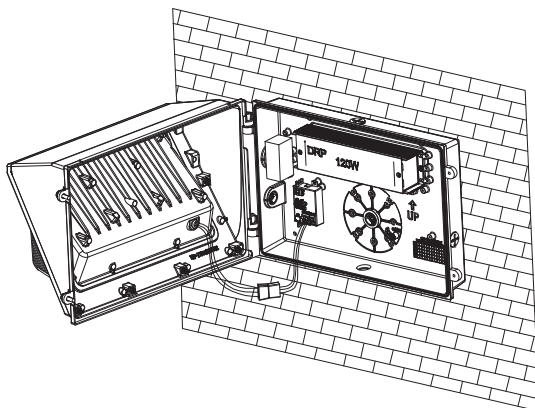
Step 4: Punch the hole plug and stick the installation buffer pad behind the bottom cover



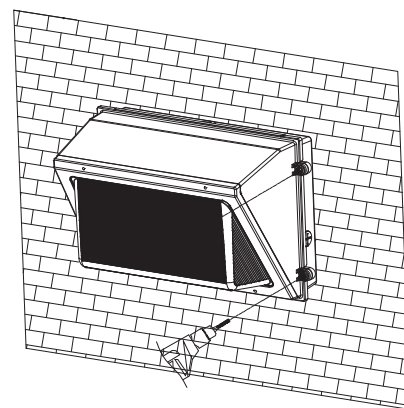
Step 5: Install the bottom cover to the J-BOX



Step 6: Wiring



Step 7: Fix the lamp body to the bottom cover and plug in the quick connector



Step 8: Fix the lamp body to the bottom cover and apply glue around the lamp body