

# Low Voltage PIR Motion Sensor

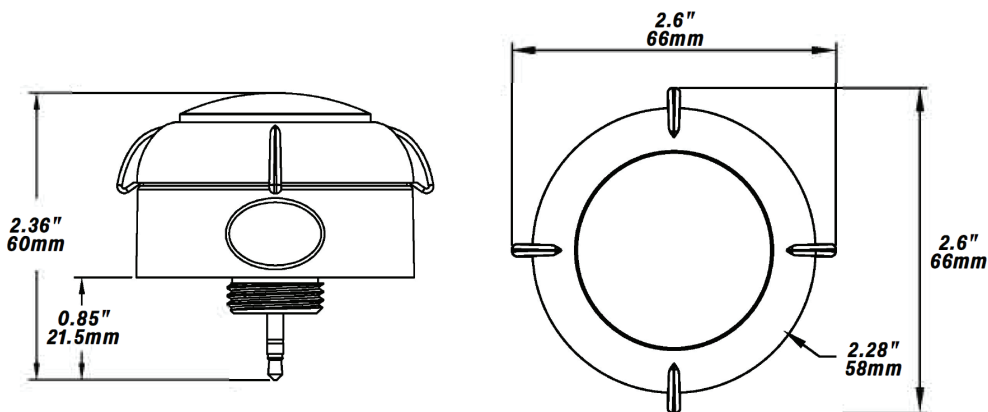
## TL-HB/Sensor/PIR



### FEATURES

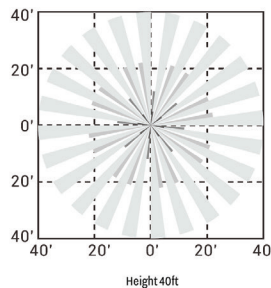
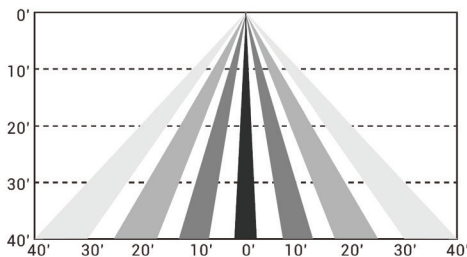
PIR sensor combines occupancy sensing with photocell.  
 0-10V Bi-level dimming control.  
 3.5mm Audio jack, save the installation cost at most.  
 Operates on 12V DC which can be easily feed from a LED driver, saves OEM cost on manufacturer side.  
 Perfectly fit in UFO high bays, area lights and wall packs that have limit to mount a external sensor.  
 IP66 rated for outdoor fixtures.  
 Programs setup by a Remote controller (RM51).

### DIMENSIONS



Coverage Side View

Coverage Top View



### SPECIFICATIONS

Input Voltage: DC 12V  
 Input Current: 8mA  
 Input Power: 0.1W  
 Output Current: 10mA Max  
 Output Power: 0.1W  
 Dimming: Class 2, 0-10V DC 10mA Max  
 Sinking Current: 10mA Max

Housing Material: UL 94-5VA,  
 Indoor / Outdoor Use

Detection Range: 40-80ft  
 Mounting Height: 20-40ft  
 IR Remote Distance: Max 26'

Operating Temperature: -30°C to 70°C,  
 -22°F to 158°F

Storage Temperature: -30°C to 85°C,  
 -22°F to 185°F

IP Rating: IP66

Color: White, Black, Brown

Warranty: 5 years warranty

# Motion Sensor Controller

## TL-HB/Sensor/Controller

### SPECIFICATIONS

Communication Mode	Infrared
Supply Voltage	3V (1/2 pcs CR2032 battery)
Flame Rating	HB
Working Humidity	≤90% RH
Working Temperature	0~45°C

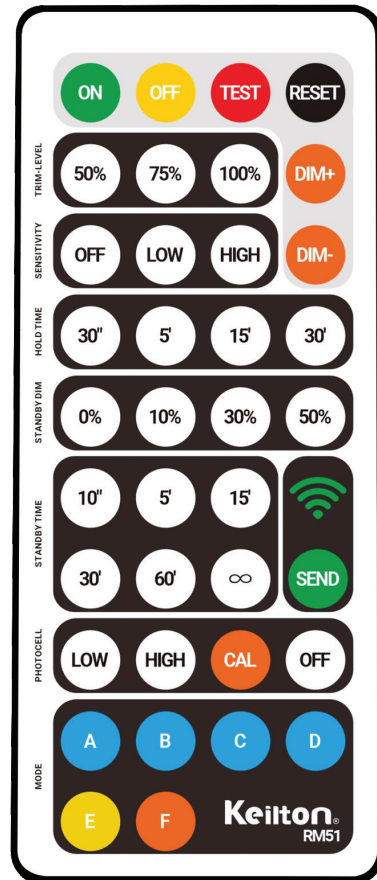
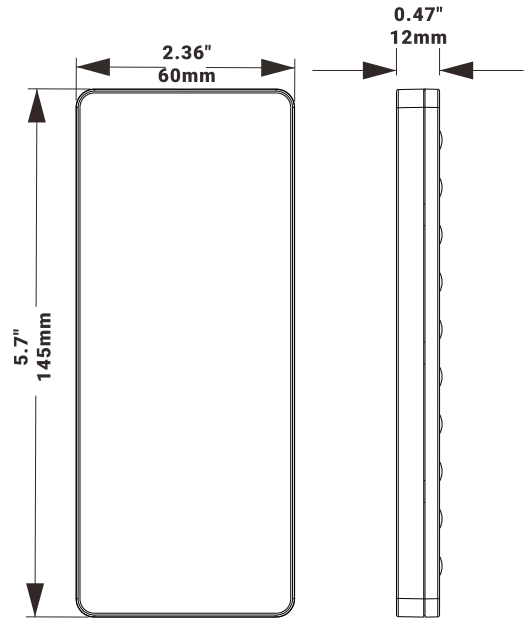
### FEATURES

1. Low power consumption
2. Infrared communication
3. Setting most of Keilton Sensors G2
4. Memory can be saved to A, B, C, D, F

### INSTRUCTIONS

ON	Turns On Luminaires
OFF	Turns OFF Luminaires
TEST	Test mode will last 5 mins then return to previous setting Test mode will hold time 2 seconds SDL 50% and standby time 2 seconds
RESET	Trim-High=100%, sensitivity=High, T1=5min, Standby Dim=30%, T2=60min, Photocell=OFF
DIM+/-	Remote will manually dim luminaire up or down by increments of 0.5volts. Must be smooth dimming if holding dimming button.
TRIM-LEVEL	Set Maximum threshold value 50/75/100%
SENSITIVITY	OFF(PIR OFF Enter PC ON/OFF function)/LOW(50%)/HIGH (100%)
HOLD TIME	(time of no occupancy after which fixture goes to stand by) 30s / 5min / 15min / 30min
F MODE DAYLIGHT HARVESTING	(Enable/Disable) Measure and set feature to allow the fixture to maintain a light level. If turned ON.
STANDBY DIM	Select any standby dim level 0/10/30/50%
STANDBY TIME	Stand by time - 10s / 5min / 15min / 30min / 1h / ∞. "∞" means the stand-by time is infinite and the fixture is effectively controlled by the daylight sensor)
PHOTOCELL	LOW (1fc) / HIGH (50fc)/CAL Collecting The current Lux Level OFF
MODE	Set settings to a Program profile A to F
SEND	Send settings to sensor
DEFAULT MODE A	Trim-High=100%, sensitivity=low, T1=30min, Standby Dim=50%, T2=∞, Photocell=CAL
DEFAULT MODE B	Trim-High=100%, sensitivity=low, T1=30min, Standby Dim=50%, T2=15min, Photocell=CAL
DEFAULT MODE C	Trim-High=100%, sensitivity=low, T1=30min, Standby Dim=50%, T2=15min, Photocell=OFF
DEFAULT MODE D	Trim-Low=50%, sensitivity=low, T1=30s, Standby Dim=50%, T2=30min, Photocell=CAL
DEFAULT MODE E	Manual Mode, Trim-High=100%
DEFAULT MODE F	Daylight Harvesting, Trim-Low=50%, sensitivity=low, T1=15min

### Diagram



# Motion Sensor Controller

## TL-HB/Sensor/Controller

---

### Memory Mode (Commissioning)

To begin commissioning, follow the steps below:

1. Select either **A, B, C, D**.
2. Indicator lights on the remote will flash to indicate the current saved settings.
3. Settings can be configured by pressing appropriate buttons in the highlighted gray area of the remote. (TRIM-LEVEL, SENSITIVITY, HOLD TIME, STANDBY DIM, STANDBY TIME, and PHOTOCCELL). Review selected settings and make changes as necessary.
4. Point IR remote to desired luminaire for configuration and press "SEND".
5. If configuration is successful, luminaire will flash two times suggesting settings are saved. Any parameter change to the current saved settings on A to F will override previous settings and will be automatically saved on the remote. If configuring multiple luminaires, select the configured memory mode A to E then follow steps 4 and 5.

\*\*\* **E Mode** allows visual adjustment to choose the desired dimming Level.

### Continuous Adjustment Mode or Daylight Harvesting (F Mode)

Enables dimmability in response to daylight availability.

1. Point IR remote to desired luminaire
2. Press "ON" then press DIM+ or DIM- to adjust dimming level.
3. Press "F", indicator lights on the remote will indicate current saved settings. Note: only TRIM-LEVEL, SENSITIVITY, and HOLD TIME can be selected for Daylight Harvesting settings.
4. Review selected settings and make changes as necessary. Press "SEND".
5. If configuration is successful, luminaire will flash twice to confirm setting saved.  
If configuring multiple luminaires, select the configured Daylight Harvesting settings then follow steps 4 and 5.

### Reset Mode

Default Settings: Motion --> 100%, No Motion >= 5min --> dim to 30%, No Motion >= 60min --> Off