

Swivel Angle Quick Connect Socket

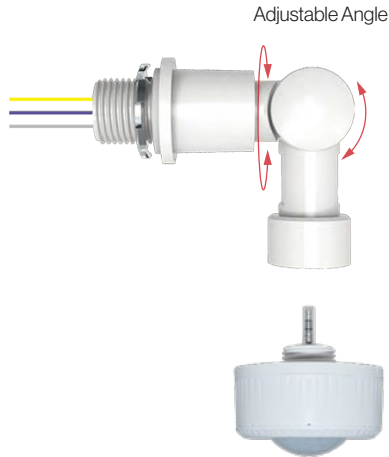


TL-TUROSMART	Model No.	Ord. Code	Inst.
	TL-TUROSMART/L/SENSOR/BASE	# 1962002 (Black) # 1962007 (White)	Field Installed

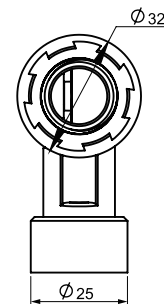
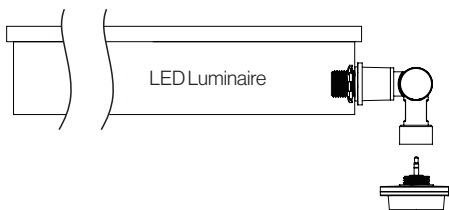
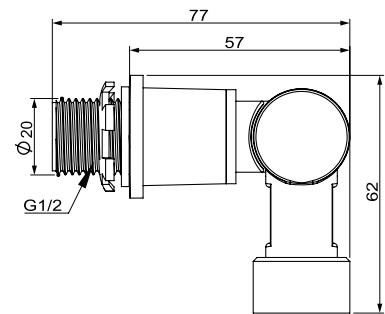
TL-TUROSMART/L/SENSOR/BASE is the single pin base for the Bluetooth passive infrared sensor (TL-TUROSMART/SENSOR/PIR/3.5mm), L-Shaped, 1/2inch knockout, white and black colour options.



Installation



TL-TUROSMART/SENSOR/PIR/3.5mm



Unit:mm

Fixture Compatibility

Segment	Product Family	TL-TUROSMART/SENSOR/PIR/3.5mm	TL-TUROSMART/L/SENSOR/BASE	TL-TUROSMART/SENSOR/PIR/CEILING/LV	TL-TUROSMART/SENSOR/PIR/CEILING/120-347V
Round Highbay	SSL-CHB2	√	-	-	-
Linear Highbay	SSL-LHB5	√	-	-	-
Canopy	SSL-CP3	√	√	-	-
	SSL-CPG	√	√	-	-

Swivel Angle Quick Connect Socket



TL-TUROSMART	Model No.	Ord. Code	Inst.
	TL-TUROSMART/L/SENSOR/BASE	# 1962002 (Black) # 1962007 (White)	Field Installed

Wall Mount	SSL-WP1T+	√	√	-	-
	SSL-WP2T+	√	√	-	-
	SSL-WP1TS	√	√	-	-
	SSL-WP3T+	√	√	-	-
	SSL-ESCP C	√	√	-	-
Area Lights	SSL-AL3	√	-	-	-
Downlighter	RGD-CDR-A	-	-	√	-
	RGD-CDR	-	-	-	√
	EDA-SP	-	-	-	√
	EDA-HS	-	-	-	√
	EDA-ECL	-	-	-	√
Center Basket	SGS-R	-	-	-	√
	RGD-CB3	-	-	-	√
Panel	RGD-BLP6	-	-	-	√
	PRO-BLP3	-	-	-	√