

# Line Voltage Relay Power Pack



<b>TL-TUROSMART</b>	<b>Model No.</b>	<b>Ord. Code</b>
	TL-TUROSMART/POWERPACK/PPA103S.D1	# 1962010

Line Voltage 6A Relay Power Pack 12V Out  
Provides 12V DC output to power sensors, and provides a 0-10V dimming wire for bi-level motion control and relay output.

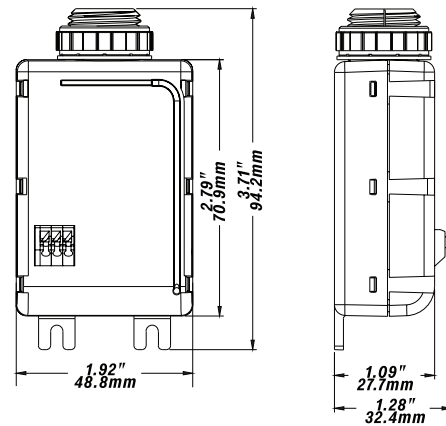
## Features

- High-efficiency switching power supply and a 6A relay
- The power pack switches connected loads on and off
- Offers 12VDC, 200mA to power the sensor
- Well-suited for applications that require high-voltage switching through low-voltage controls
- 1/2" threaded nipple attaches to standard electrical enclosures through 1/2" knockouts



## Specifications

Dimming	Class 2, 0-10V DC 10mA Max
Sinking Current	10mA Max
Output Voltage	120-347VAC
Output Power	6A Max 720W@120V, 1200W@277V, 2082@347V
Housing Material	UL 94-5VA
Indoor/Outdoor Use	Indoor Use Only
Operating Temperature	-30°C to 65°C, -22°F to 149°F
Storage Temperature	-30°C to 85°C, -22°F to 185°F
IP Rating	IP20
Color	White
Warranty	5 year warranty
Compliance	UL8750, RoHS
Safety	cULus Listed LED Controller, E504054



0.5" US standard knockout

### Socket Mounting Dimensions

Size	T.P.I	Major Dia.
R1/2	14 inch	0.825 inch

## Ordering Information

Ordering Code	Model Number	Input / Output Voltage	Frequency	Terminals
1962010	TL-TUROSMART/POWERPACK/PPA103S.D1	AC120-347V 18AWG	50/60Hz 6A Max 720W @ 120V, 6A Max 2082W @ 347V	×

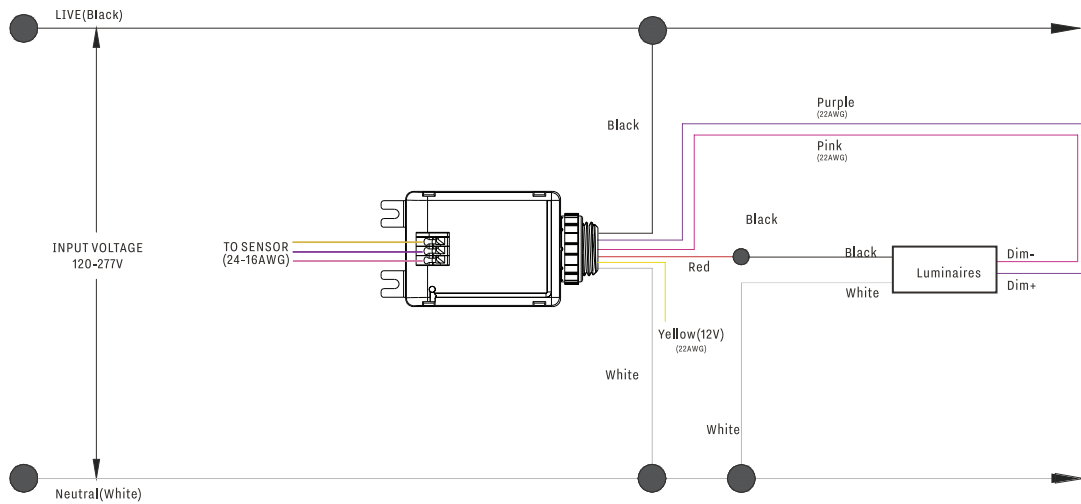
# Line Voltage Relay Power Pack



<b>TL-TUROSMART</b>	<b>Model No.</b>	<b>Ord. Code</b>
	TL-TUROSMART/POWERPACK/PPA103S.D1	# 1962010

## Wiring

### Single Fixture



### Multiple Fixture

When connecting to multiple fixtures, ensure that the sum of dimming sink currents used by all fixtures does not exceed the dimming sink current of this device.

