

Installation Instruction

Linear Pendant Luminaire

Applicable models:
ZNTH60-PD, ZNTH60-PDI

ELECTRICAL SHOCK HAZARD



WARNING

Disconnect the Electrical supply at the service panel (fuse or circuit breaker box). Failure to do so could result in serious injury.

Only qualified electricians should install this luminaire and Must conform to the Canadian Electrical Code Part 1 or the NEC, and any local codes and ordinances. Ensure that only proper tools and materials to complete the installation are available prior to attempting to install this luminaire.

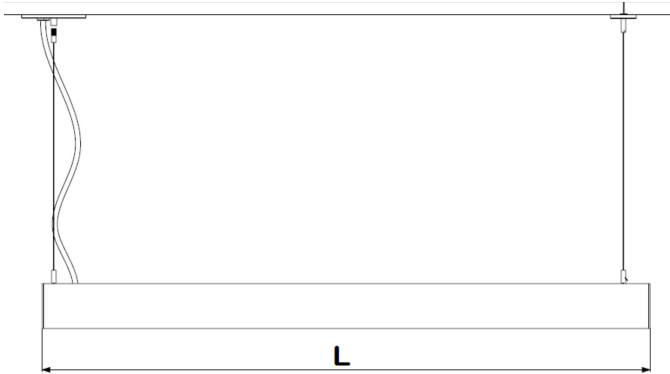
Read all instructions prior to installing this product.

IMPORTANT CALCULATION FOR CONTINUOUS ROW MOUNTING

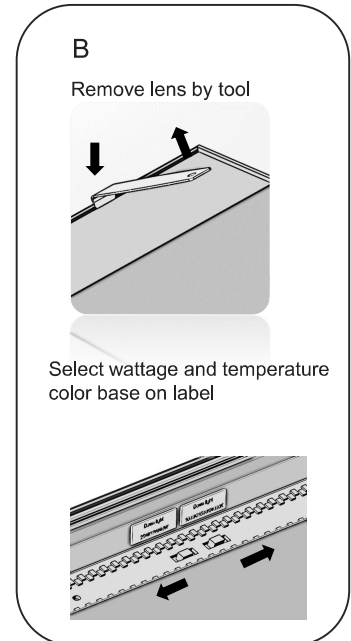
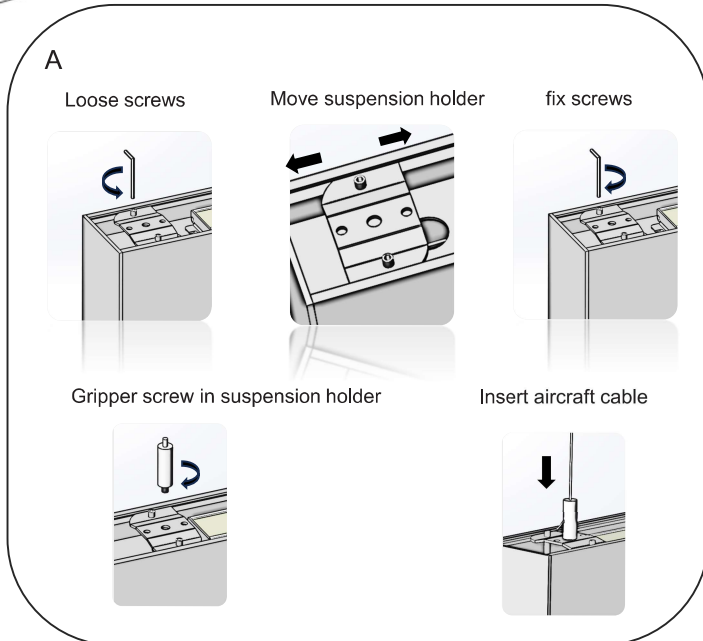
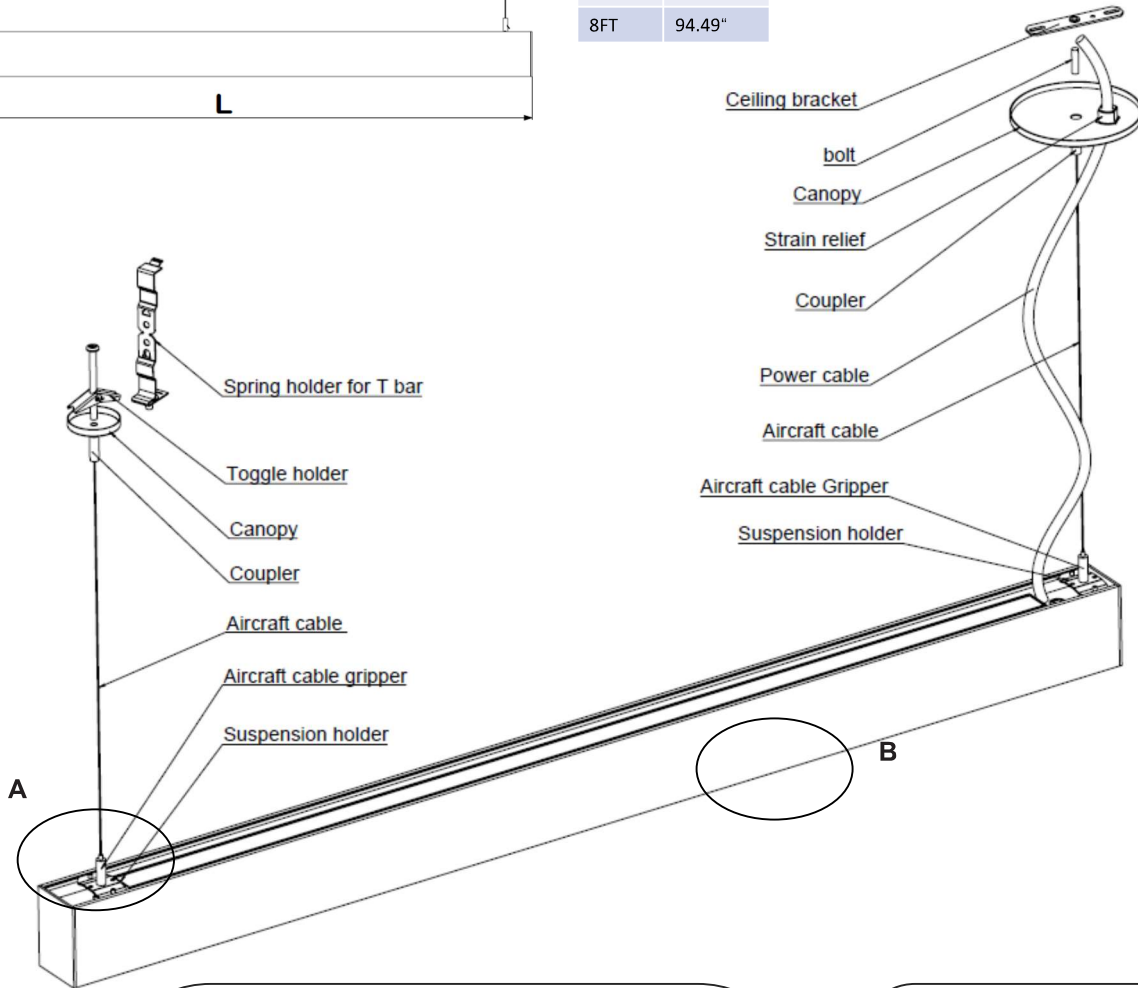
For Row Mounting: Calculate the luminaire row total amperage from input current on product label to prevent from being over the current rating of the power feed cord. Maximum of 6 amps per power feed.

When row length amperage calculated exceeds 6 amps additional a power feed connection must be used at intervals of 6 amps or less.

For Row Mounting **DO NOT CONNECT** units on the floor – They must be connected after **PENDANT** mounting.

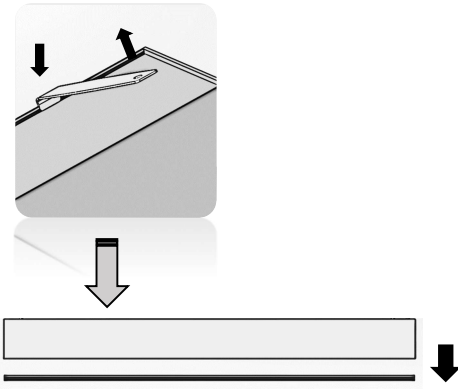


Type	Length
2FT	23.62"
3FT	35.43"
4FT	47.24"
5FT	59.06"
6FT	70.87"
7FT	82.68"
8FT	94.49"

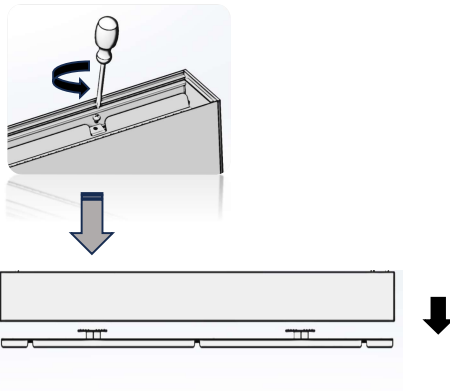


CONTINUOUS INSTALLATION FOR DIRECT AND INDIRECT

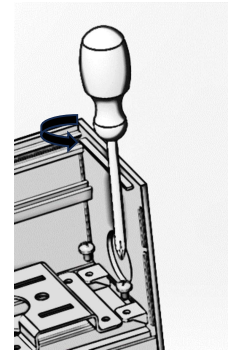
Remove lens by tool



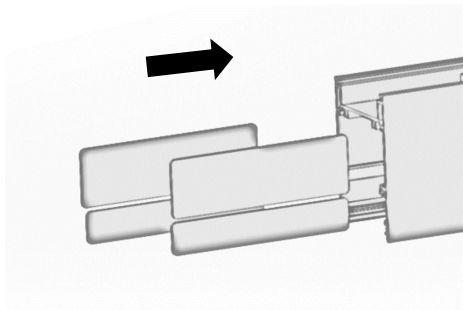
Loose screws and remove gear tray



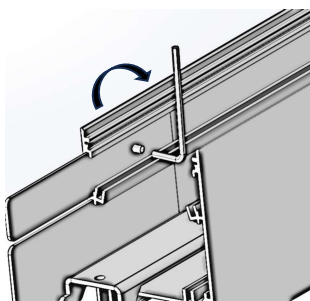
Loose 2 screws and remove End cap



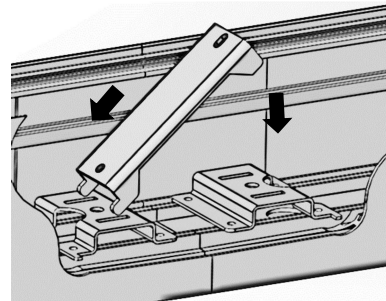
Insert Joint plate to housing



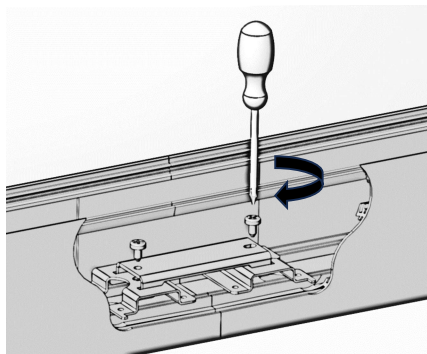
Lock plate in position



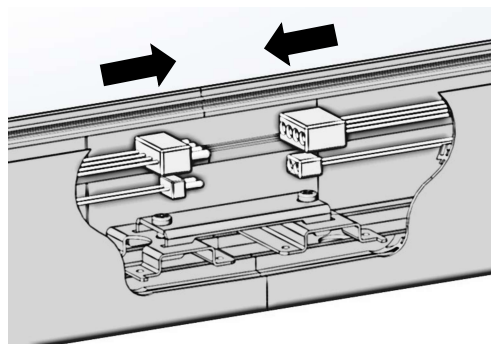
Insert Joint lock holder to brackets



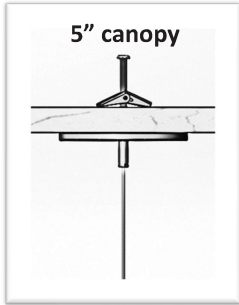
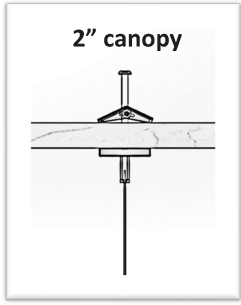
Fix lock holder to brackets by 2 screws



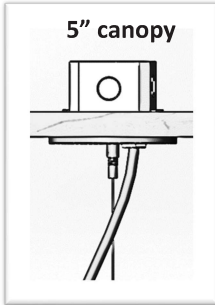
Connect through wiring



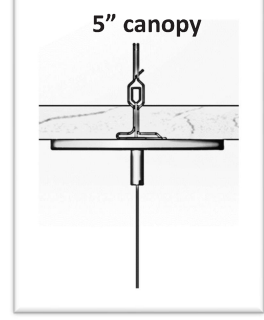
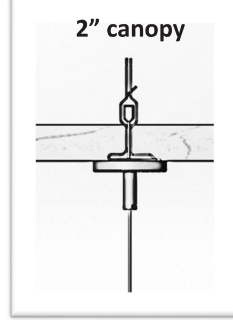
NON-POWER FEED



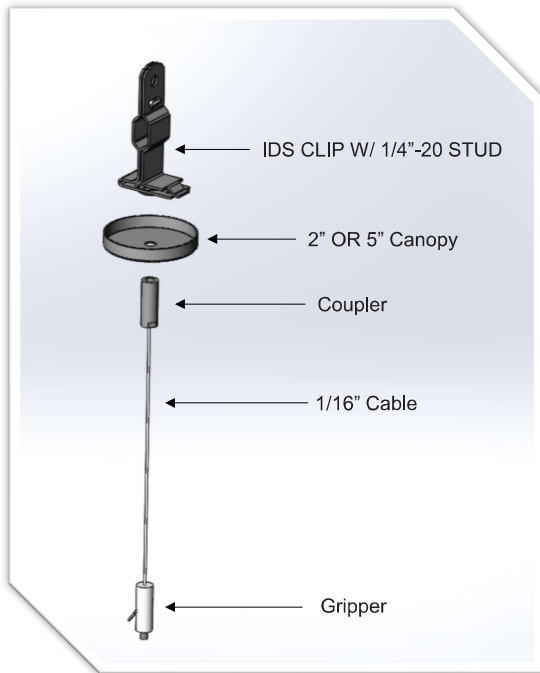
POWER FEED



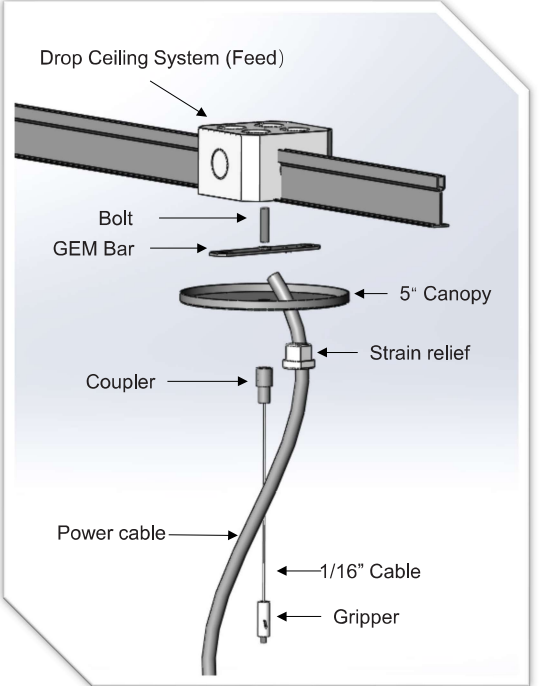
GRID NON-POWER FEED



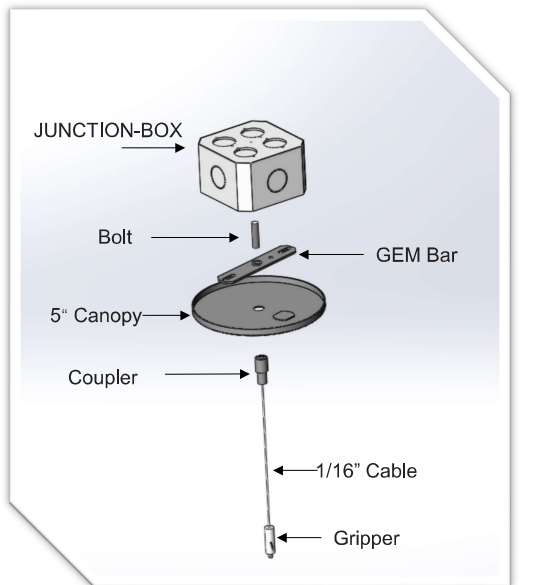
Drop Ceiling System (Non Feed)



Drop Ceiling System (Feed)



Hard Ceiling System (Non Feed)



Hard Ceiling System (Feed)

